



Nortec EL-Series

SPARE PARTS LIST



Proprietary Notice

This document and the information disclosed herein are proprietary data of Condair Ltd. Neither this document nor the information contained herein shall be reproduced, used, or disclosed to others without the written authorization of Condair Ltd., except to the extent required for installation or maintenance of recipient's equipment.

Liability Notice

Condair Ltd. does not accept any liability for installations of humidity equipment installed by unqualified personnel or the use of parts/components/equipment that are not authorized or approved by Condair Ltd.

Copyright Notice

© Condair Ltd. All rights reserved.

The contents of this document are subject to change without notice.

Contents

Plumbing Parts – Nortec EL 005-030	2
Plumbing Parts – Nortec EL 050-200	4
Electrical Parts – Nortec EL 005-030	6
Electrical Parts – Nortec EL 050-200	8
Blower Pack Parts	10
Nortec EL Spare Parts Bag	11

IMPORTANT! This document to be left with the equipment.

Plumbing Parts – Nortec EL 005-030

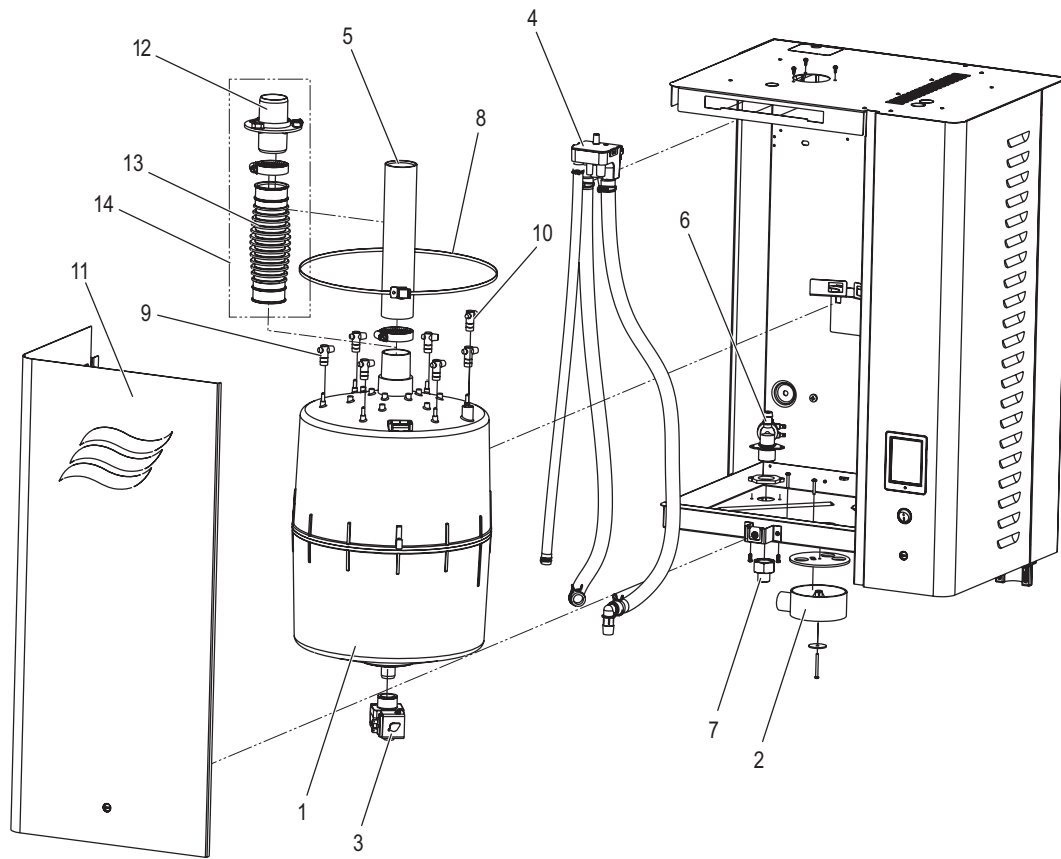


Figure 1: Plumbing Parts – Nortec EL 005-030

Table 1: Plumbing Parts List – Nortec EL 005-030

Item No.	Item Description	Nortec EL model															Part Number									
		005 010 020 (1~) 020 (3~) 030																								
		110-120V / 1~	208V / 1~	220-240V / 1~	277V / 1~	380V / 1~	440-480V / 1~	550-600V / 1~	208V / 1~	220-240V / 1~	277V / 1~	380V / 1~	440-480V / 1~	550-600V / 1~	208V / 3~	220-240V / 3~		380V / 3~	440-480V / 3~	550-600V / 3~	208V / 3~	220-240V / 3~	380V / 3~	440-480V / 3~	550-600V / 3~	
1	Cylinder 202	1	1	1	1	-	-	-	-	-	-	-	-	-	-	-	-	-	-	-	-	-	-	-	-	1519002
	Cylinder 203	-	-	-	-	1	-	-	-	-	-	-	-	-	-	-	-	-	-	-	-	-	-	-	-	1519003
	Cylinder 204	-	-	-	-	-	1	1	-	-	-	-	-	-	-	-	-	-	-	-	-	-	-	-	-	1519004
	Cylinder 321	-	-	-	-	-	-	1	1	1	-	-	-	-	-	-	-	-	-	-	-	-	-	-	-	1519020
	Cylinder 305	-	-	-	-	-	-	-	-	-	1	-	-	-	-	-	-	-	-	-	-	-	-	-	-	1519025
	Cylinder 309	-	-	-	-	-	-	-	-	-	-	1	1	-	-	-	-	-	-	-	-	-	-	-	-	1519029
	Cylinder 311	-	-	-	-	-	-	-	-	-	-	-	-	-	-	1	1	1	-	-	-	-	-	-	-	1519031
	Cylinder 303	-	-	-	-	-	-	-	-	-	-	-	-	-	1	1	-	-	-	-	-	-	-	-	-	1519023
	Cylinder 421	-	-	-	-	-	-	-	-	-	-	-	-	-	-	-	-	-	1	1	-	-	-	-	-	1519040
	Cylinder 407	-	-	-	-	-	-	-	-	-	-	-	-	-	-	-	-	-	-	1	-	-	-	-	-	1519047
	Cylinder 411	-	-	-	-	-	-	-	-	-	-	-	-	-	-	-	-	-	-	-	1	1	-	-	-	1519051
2	Drain Channel	1	1	1	1	1	1	1	1	1	1	1	1	1	1	1	1	1	1	1	1	1	1	1	1	2573514
3	Valve, Drain +24 V Coil	1	1	1	1	1	1	1	1	1	1	1	1	1	1	1	1	1	1	1	1	1	1	1	1	1456000
	Valve, Quiet Drain 24V **	1	1	1	1	1	1	1	1	1	1	1	1	1	1	1	1	1	1	1	1	1	1	1	1	2594747
4	Fill Cup Assembly, Small	1	1	1	1	1	1	1	1	1	1	1	1	1	1	1	1	1	1	1	1	1	1	1	1	2574143
5	Steam Line, 7/8 in (22 mm) ID	12	12	12	12	12	12	12	12	12	12	12	12	12	12	12	12	12	12	12	12	12	12	12	12	2574131
6	Valve, Single Fill – 0.13 gal/min (0.5 L/min)	1	1	1	1	1	1	1	1	1	1	1	1	1	1	1	1	1	-	-	-	-	-	-	-	2573515
	Valve, Single Fill – 0.32 gal/min (1.2 L/min)	-	-	-	-	-	-	-	-	-	-	-	-	-	-	-	-	-	1	1	1	1	1	1	1	2573522
6*	Valve, Dual Fill – 0.87 gal/min (3.3L/min), 0.13 gal/min (0.5 L/min)	1	1	1	1	1	1	1	1	1	1	1	1	1	1	1	1	1	-	-	-	-	-	-	-	2574133
	Valve, Dual Fill – 0.87 gal/min (3.3 L/min), 0.32 gal/min (1.2 L/min)	-	-	-	-	-	-	-	-	-	-	-	-	-	-	-	-	-	1	1	1	1	1	1	1	2574134
7	Fitting, Brass – 3/4 in BSPP to 1/2 in NPT (with washer)	1	1	1	1	1	1	1	1	1	1	1	1	1	1	1	1	1	1	1	1	1	1	1	1	2574137
8	Strap, Cylinder – 100/200	1	1	1	1	1	1	1	-	-	-	-	-	-	-	-	-	-	-	-	-	-	-	-	-	2553033
	Strap, Cylinder – 300	-	-	-	-	-	-	1	1	1	1	1	1	1	1	1	1	1	-	-	-	-	-	-	-	2553034
	Strap, Cylinder – 400	-	-	-	-	-	-	-	-	-	-	-	-	-	-	-	-	-	1	1	1	1	1	1	1	2553035
9	Plug Kit, Cylinder, Qty 2	1	1	1	1	1	1	1	1	1	1	1	1	-	-	-	-	-	-	-	-	-	-	-	-	2577737
	Super Plug Kit, R-Y-B, NH-EL	-	-	-	-	-	-	1	-	-	-	-	-	-	-	-	-	-	-	-	-	-	-	-	-	2574141
	Plug Kit, Cylinder, Qty 3	-	-	-	-	-	-	-	-	-	-	-	-	1	1	1	1	1	1	1	1	1	1	1	1	2573529
10	Plug, High Water Sensor	1	1	1	1	1	1	1	1	1	1	1	1	1	1	1	1	1	1	1	1	1	1	1	1	2577738
11	Plumbing Door	1	1	1	1	1	1	1	1	1	1	1	1	1	1	1	1	1	1	1	1	1	1	1	1	2597260
Optional Components																										
12	Outlet, Steam – 7/8 in (22 mm)	1	1	1	1	1	1	1	1	1	1	1	1	1	1	1	1	1	1	1	1	1	1	1	1	2584088
13	Hose, Steam Outlet, 200	1	1	1	1	1	1	1	-	-	-	-	-	-	-	-	-	-	-	-	-	-	-	-	-	2584089
	Hose, Steam Outlet, 300	-	-	-	-	-	-	1	1	1	1	1	1	1	1	1	1	1	-	-	-	-	-	-	-	2584096
	Hose, Steam Outlet, 400	-	-	-	-	-	-	-	-	-	-	-	-	-	-	-	-	-	1	1	1	1	1	1	1	2584090
14	Steam Outlet Kit, 200	1	1	1	1	1	1	1	-	-	-	-	-	-	-	-	-	-	-	-	-	-	-	-	-	2584091
	Steam Outlet Kit, 300	-	-	-	-	-	-	1	1	1	1	1	1	1	1	1	1	1	-	-	-	-	-	-	-	2584097
	Steam Outlet Kit, 400	-	-	-	-	-	-	-	-	-	-	-	-	-	-	-	-	-	1	1	1	1	1	1	1	2584092
N/S	Foam Detection Kit, Small	1	1	1	1	1	1	1	1	1	1	1	1	1	1	1	1	1	1	1	1	1	1	1	1	2574091
	Foam Detection Kit with Built-on Blower Pack	1	1	1	1	1	1	1	1	1	1	1	1	1	1	1	1	1	1	1	1	1	1	1	1	2574093
	Fill Cup Extension Kit	1	1	1	1	1	1	1	1	1	1	1	1	1	1	1	1	1	1	1	1	1	1	1	1	2582391
	Extreme Cooling Kit – 0.87 gal/min (3.3 L/min), 0.13 gal/min (0.5 L/min)	1	1	1	1	1	1	1	1	1	1	1	1	1	1	1	1	1	-	-	-	-	-	-	-	2574079
	Extreme Cooling Kit – 0.87 gal/min (3.3 L/min), 0.32 gal/min (1.2 L/min)	-	-	-	-	-	-	-	-	-	-	-	-	-	-	-	-	-	1	1	1	1	1	1	1	2574081
	Hose, 0.47/0.63 in (12/16 mm) ID/OD 7 ft (2.1 m)	1	1	1	1	1	1	1	1	1	1	1	1	1	1	1	1	1	1	1	1	1	1	1	1	2598316

* Optional component

** Should only be installed in units which were ordered from the factory with the ELN_QDV option, or have had the OPT-FLD Quiet Drain Valve (PN: 2576940) installed

N/S Not shown

Plumbing Parts – Nortec EL 050-200

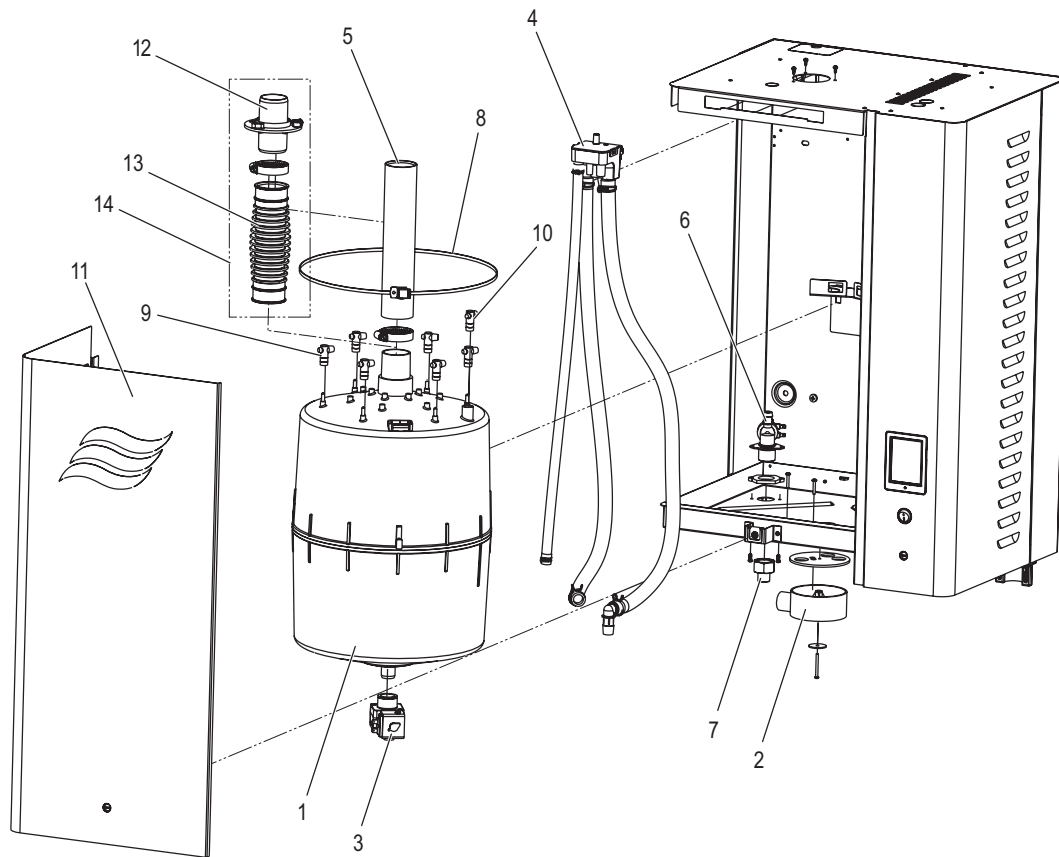


Figure 2: Plumbing Parts – Nortec EL 050-200

Table 2: Plumbing Parts List – Nortec EL 050-200

Item No.	Item Description	Nortec EL model												Part Number													
		050					075					100			150			200									
		208V / 3~	220-240V / 3~	380V / 3~	440-480V / 3~	550-600V / 3~	208V / 3~	220-240V / 3~	380V / 3~	440-480V / 3~	550-600V / 3~	208V / 3~	220-240V / 3~		380V / 3~	440-480V / 3~	550-600V / 3~	208V / 3~	220-240V / 3~	380V / 3~	440-480V / 3~	550-600V / 3~					
1	Cylinder 621	1	1				1	1				1	1				2	2				2	2				1519080
	Cylinder 605			1	1				1	1				1	1					2	2			2	2		1519085
	Cylinder 603			1					1					1					2					2			1519083
2	Drain Channel	1	1	1	1	1	1	1	1	1	1	1	1	1	1	1	2	2	2	2	2	2	2	2	2	2	2573514
3	Valve, Drain +24V Coil	1	1	1	1	1	1	1	1	1	1	1	1	1	1	1	2	2	2	2	2	2	2	2	2	2	1456000
	Valve, Quiet Drain 24V**	1	1	1	1	1	1	1	1	1	1	1	1	1	1	1	2	2	2	2	2	2	2	2	2	2	2594747
4	Fill Cup Assembly, Large	1	1	1	1	1	1	1	1	1	1	1	1	1	1	1	2	2	2	2	2	2	2	2	2	2	2574142
5	Steam Line, 1-3/4 in (45 mm) ID	1	1	1	1	1	1	1	1	1	1	1	1	1	1	1	2	2	2	2	2	2	2	2	2	2	2574132
6	Valve, Single Fill – 0.53 gal/min (2.0 L/min)	1	1	1	1	1	1	1	1	1	1						2	2	2	2	2						2573523
	Valve, Single Fill – 0.87 gal/min (3.3 L/min)											1	1	1	1	1						2	2	2	2	2	2573524
6*	Valve, Dual Fill – 0.87 gal/min (3.3 L/min), 0.53 gal/min (2.0 L/min)	1	1	1	1	1	1	1	1	1	1						2	2	2	2	2						2574135
	Valve, Dual Fill – 0.87 gal/min (3.3 L/min), 0.87 gal/min (3.3 L/min)											1	1	1	1	1						2	2	2	2	2	2574136
7	Fitting, Brass – 3/4 in BSPP to 1/2 in NPT (with washer)	1	1	1	1	1	1	1	1	1	1	1	1	1	1	1	2	2	2	2	2	2	2	2	2	2	2574137
8	Strap, Cylinder – 600	1	1	1	1	1	1	1	1	1	1	1	1	1	1	1	2	2	2	2	2	2	2	2	2	2	2578692
9	Plug Kit, Cylinder, Qty 3	2	2	2	2	2			2	2				2	2				4	4				4	4		2573529
	Super Plug Kit, R-Y-B, NH-EL						2	2	2			2	2	2			4	4	4			4	4	4			2574141
10	Plug, High Water Sensor	1	1	1	1	1	1	1	1	1	1	1	1	1	1	1	2	2	2	2	2	2	2	2	2	2	2577738
11	Plumbing Door, Medium	1	1	1	1	1	1	1	1	1	1	1	1	1	1	1											2597256
	Plumbing Door, Large																1	1	1	1	1	1	1	1	1	1	2597258
Optional Components																											
12	Outlet, Steam – 1-3/4 in (45 mm)	1	1	1	1	1	1	1	1	1	1	1	1	1	1	1	2	2	2	2	2	2	2	2	2	2	2584093
13	Hose, Steam Outlet, 600	1	1	1	1	1	1	1	1	1	1	1	1	1	1	1	2	2	2	2	2	2	2	2	2	2	2584094
14	Steam Outlet Kit, 600	1	1	1	1	1	1	1	1	1	1	1	1	1	1	1	2	2	2	2	2	2	2	2	2	2	2584095
N/S	Foam Detection Kit, Medium	1	1	1	1	1	1	1	1	1	1	1	1	1	1	1											2574095
	Foam Detection Kit, Large																1	1	1	1	1	1	1	1	1	1	2574099
	Fill Cup Extension Kit	1	1	1	1	1	1	1	1	1	1	1	1	1	1	1	2	2	2	2	2	2	2	2	2	2	2582391
	Extreme Cooling Kit – 0.87 gal/min (3.3 L/min), 0.53 gal/min (2.0 L/min)	1	1	1	1	1	1	1	1	1	1						2	2	2	2	2						2574083
	Extreme Cooling Kit – 0.87 gal/min (3.3 L/min), 0.87 gal/min (3.3 L/min)											1	1	1	1	1						2	2	2	2	2	2574085
	Hose, 0.47/0.63 in (12/16 mm) ID/OD 7 ft (2.1 m)	1	1	1	1	1	1	1	1	1	1	1	1	1	1	1	2	2	2	2	2	2	2	2	2	2	2598316

* Optional component

** Should only be installed in units which were ordered from the factory with the ELN_QDV option, or have had the OPT-FLD Quiet Drain Valve (PN: 2576940) installed

N/S Not shown

Electrical Parts – Nortec EL 005-030

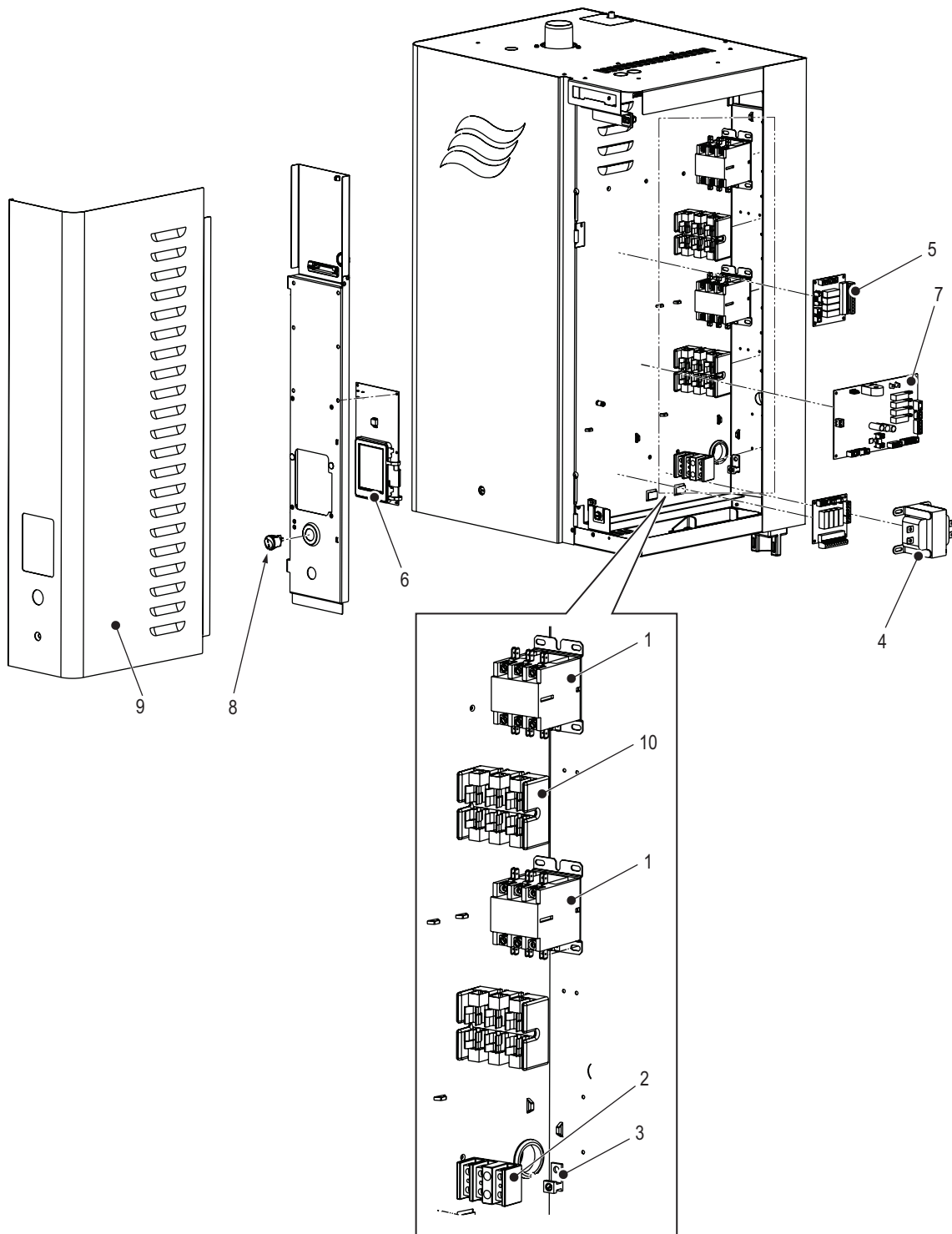


Figure 3: Electrical Parts – Nortec EL 005-030

Table 3: Electrical Parts List – Nortec EL 005-030

Item No.	Item Description	Nortec EL model															Part Number											
		005	010					020 (1~)					020 (3~)			030												
		110-120V / 1~	208V / 1~	220-240V / 1~	277V / 1~	380V / 1~	440-480V / 1~	550-600V / 1~	208V / 1~	220-240V / 1~	277V / 1~	380V / 1~	440-480V / 1~	550-600V / 1~	208V / 3~	220-240V / 3~		380V / 3~	440-480V / 3~	550-600V / 3~	208V / 3~	220-240V / 3~	380V / 3~	440-480V / 3~	550-600V / 3~			
1	Contact, 40 Amp, 3-Phase	1	1	1	1	1	1	1	1	1	1	1	1	1	1	1	1	1	1	1	1	1	1	1	1	1	1	2574150
	Contact, 50 Amp, 3-Phase							1																				2574151
2	Terminal Block, 2-Pole, 95 Amp	1	1	1	1	1	1	1	1	1	1	1	1	1														2574153
	Terminal Block, 3-Pole, 95 Amp													1	1	1	1	1	1	1	1	1	1	1	1	1	1	2574154
3	Ground Clamp, Small	1	1	1	1	1	1	1	1	1	1	1	1	1	1	1	1	1	1	1	1	1	1	1	1	1	1	2574158
4	Transformer, 120/24 VAC, 75 VA	1																										2574159
	Transformer, 208/24 VAC, 75 VA		1					1						1						1								2574160
	Transformer, 240/24 VAC, 75 VA			1					1						1							1						2574161
	Transformer, 277/24 VAC, 75 VA				1					1																		2574162
	Transformer, 380/24 VAC, 75 VA					1					1					1									1			2574163
	Transformer, 480/24 VAC, 75 VA						1					1					1									1		2574164
	Transformer, 600/24 VAC, 75 VA							1					1					1								1		2574165
5	PCB, Fault Remote (optional)	1	1	1	1	1	1	1	1	1	1	1	1	1	1	1	1	1	1	1	1	1	1	1	1	1	1	2574171
6	IC Assembly, EL (+ SIM)	1	1	1	1	1	1	1	1	1	1	1	1	1	1	1	1	1	1	1	1	1	1	1	1	1	1	2584072
	IC Assembly, EL	1	1	1	1	1	1	1	1	1	1	1	1	1	1	1	1	1	1	1	1	1	1	1	1	1	1	2584073
	IC Assembly, EL OC (+ SIM)	1	1	1	1	1	1	1	1	1	1	1	1	1	1	1	1	1	1	1	1	1	1	1	1	1	1	2603878
	IC Assembly, EL OC	1	1	1	1	1	1	1	1	1	1	1	1	1	1	1	1	1	1	1	1	1	1	1	1	1	1	2603879
7	Driver Board, EL	1																										2585526
	Driver Board, EL		1	1	1	1	1	1	1	1	1	1	1	1	1	1	1	1	1	1	1	1	1	1	1	1	1	2584074
	Driver Board, EL Outdoor		1	1	1	1	1	1	1	1	1	1	1	1	1	1	1	1	1	1	1	1	1	1	1	1	1	2603875
8	Power Switch, Blue	1	1	1	1	1	1	1	1	1	1	1	1	1	1	1	1	1	1	1	1	1	1	1	1	1	1	2576748
9	Electrical Door	1	1	1	1	1	1	1	1	1	1	1	1	1	1	1	1	1	1	1	1	1	1	1	1	1	1	2597259
N/S	Fuse, 4 Amp	1	1	1	1	1	1	1	1	1	1	1	1	1	1	1	1	1	1	1	1	1	1	1	1	1	1	2559753
	Fuse, 1 Amp	1	1	1	1	1	1	1	1	1	1	1	1	1	1	1	1	1	1	1	1	1	1	1	1	1	1	2598317
	Strain Relief Kit	1	1	1	1	1	1	1	1	1	1	1	1	1	1	1	1	1	1	1	1	1	1	1	1	1	1	2598318
	Cable, EL Driver Board	1	1	1	1	1	1	1	1	1	1	1	1	1	1	1	1	1	1	1	1	1	1	1	1	1	1	2584098
	Cable Ribbon, 10-Pin Fault	1	1	1	1	1	1	1	1	1	1	1	1	1	1	1	1	1	1	1	1	1	1	1	1	1	1	2574174
Space Model Only																												
N/S	SP Trans. 208,416/120V,150VA, 50/60_CE		1					1						1						1								2597312
	SP Trans 220-240/120 V, 150 VA, 50/60_CE			1					1						1							1						2598823
	SP Trans. 277/120 V, 150 VA, 50/60_CE				1					1																		2598824
	SP Trans 380-416/120 V, 150 VA, 50/60_CE					1					1					1								1				2598825
	SP Trans 480, 600/120V, 150 VA, 50/60_CE						1	1				1	1				1	1							1	1		2598826
Optional Components																												
10	SP Fuse, Class T, 300V, 50amp							2																				2597262
	SP Fuse, Class T, 300V, 40amp	2	2	2	2				2	2				3	3					3	3							2597294
	SP Fuse, Class T, 600V, 40amp					2	2	2			2	2	2			3	3	3						3	3	3		2597293

* Optional component
N/S Not shown

Electrical Parts – Nortec EL 050-200

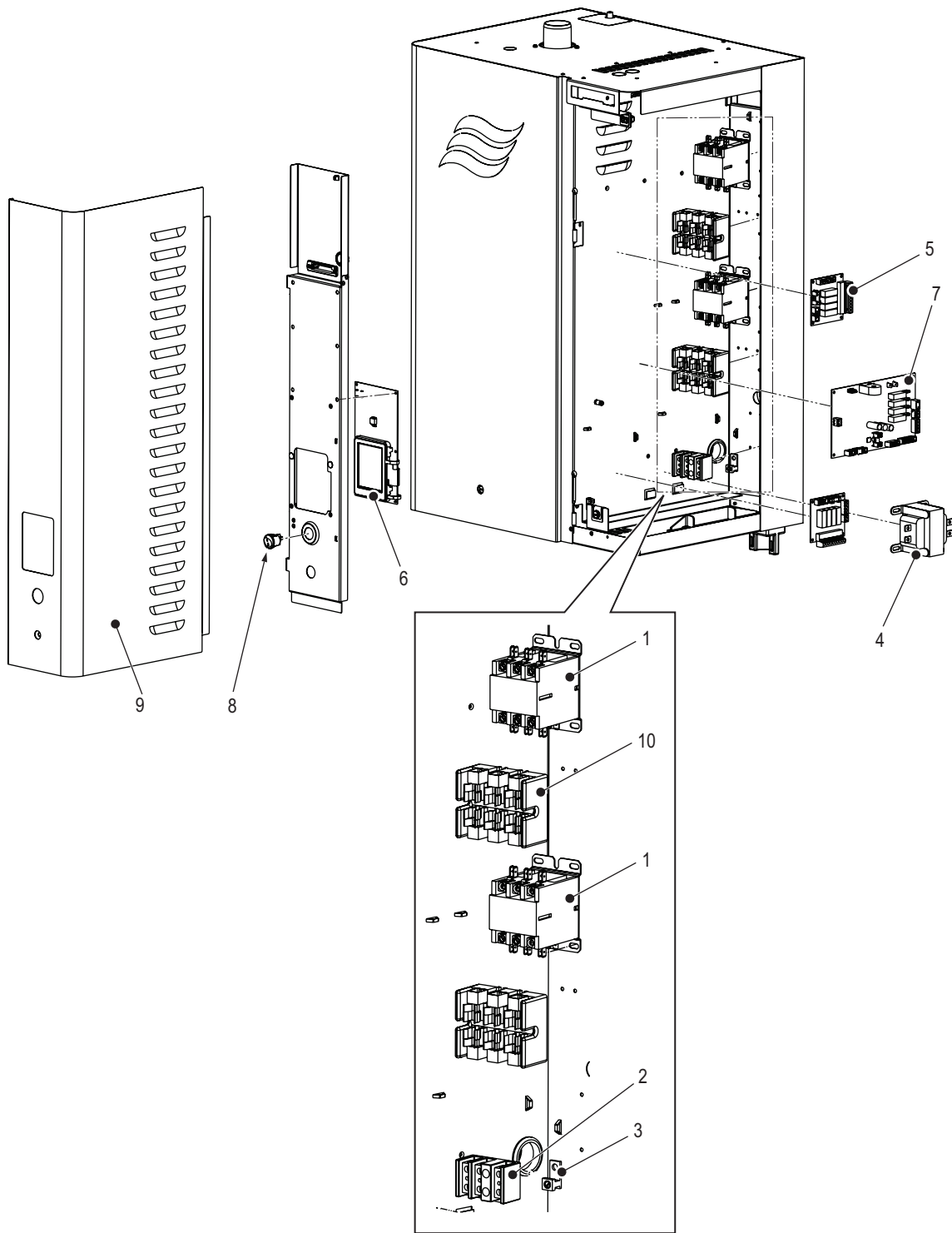


Figure 4: Electrical Parts – Nortec EL 050-200

Table 4: Electrical Parts List – Nortec EL 050-200

Item No.	Item Description	Nortec EL model															Part Number															
		050					075					100						150					200									
		208V / 3~	220-240V / 3~	380V / 3~	440-480V / 3~	550-600V / 3~	208V / 3~	220-240V / 3~	380V / 3~	440-480V / 3~	550-600V / 3~	208V / 3~	220-240V / 3~	380V / 3~	440-480V / 3~	550-600V / 3~		208V / 3~	220-240V / 3~	380V / 3~	440-480V / 3~	550-600V / 3~	208V / 3~	220-240V / 3~	380V / 3~	440-480V / 3~	550-600V / 3~					
1	Contactors, 40 Amp, 3-Phase	2	2	1	2	2																										2574150
	Contactors, 50 Amp, 3-Phase						2	2	1	1	1											4	4	2	2	2					2	2574151
	Contactors, 62 Amp, 3-Phase											2	2	1	1												4	4	2	2		2574152
2	Terminal Block, 3-Pole, 95 Amp	1	1	1	1	1		1	1	1	1																1	1				2574154
	Terminal Block, 3-Pole, 150 Amp						1					1	1	1						1								1	1	1		2574155
	Terminal Block, 3-Pole, 310 Amp																1	1									1	1				2574156
3	Ground Clamp, Small	1	1	1	1	1				1	1									1	1											2574158
	Ground Clamp, Large						1	1	1			1	1	1			1	1	1	1	1	1	1	1	1	1	1	1	1	1	1	2574370
4	Transformer, 208/24 VAC, 75 VA	1					1					1																				2574160
	Transformer, 240/24 VAC, 75 VA		1					1					1																			2574161
	Transformer, 380/24 VAC, 75 VA			1					1					1																		2574163
	Transformer, 480/24 VAC, 75 VA				1					1					1																	2574164
	Transformer, 600/24 VAC, 75 VA					1					1										1											2574165
	Transformer, 208/24 VAC, 150 VA																1										1					2574166
	Transformer, 240/24 VAC, 150 VA																	1									1					2574167
	Transformer, 380/24 VAC, 150 VA																		1									1				2574170
	Transformer, 480/24 VAC, 150 VA																			1									1			2574168
	Transformer, 600/24 VAC, 150 VA																				1									1		2574169
5	PCB, Fault Remote (optional)	1	1	1	1	1	1	1	1	1	1	1	1	1	1	1	1	1	1	1	1	1	1	1	1	1	1	1	1	1	1	2574171
6	IC Assembly, EL (+ SIM)	1	1	1	1	1	1	1	1	1	1	1	1	1	1	1	1	1	1	1	1	1	1	1	1	1	1	1	1	1	1	2584072
	IC Assembly, EL	1	1	1	1	1	1	1	1	1	1	1	1	1	1	1	1	1	1	1	1	1	1	1	1	1	1	1	1	1	1	2584073
	IC Assembly, EL OC (+ SIM)	1	1	1	1	1	1	1	1	1	1	1	1	1	1	1	1	1	1	1	1	1	1	1	1	1	1	1	1	1	1	2603878
	IC Assembly, EL OC	1	1	1	1	1	1	1	1	1	1	1	1	1	1	1	1	1	1	1	1	1	1	1	1	1	1	1	1	1	1	2603879
7	Driver Board, EL	1	1	1	1	1	1	1	1	1	1	1	1	1	1	1	2	2	2	2	2	2	2	2	2	2	2	2	2	2	2	2584074
	Driver Board, EL Outdoor	1	1	1	1	1	1	1	1	1	1	1	1	1	1	1	2	2	2	2	2	2	2	2	2	2	2	2	2	2	2	2603875
8	Power Switch, Blue	1	1	1	1	1	1	1	1	1	1	1	1	1	1	1	1	1	1	1	1	1	1	1	1	1	1	1	1	1	1	2576748
9	Electrical Door, Medium	1	1	1	1	1	1	1	1	1	1	1	1	1	1	1																2597255
	Electrical Door, Large																1	1	1	1	1	1	1	1	1	1	1	1	1	1	1	2597257
N/S	Fuse, 4 Amp	1	1	1	1	1	1	1	1	1	1	1	1	1	1	1	2	2	2	2	2	2	2	2	2	2	2	2	2	2	2	2559753
	Fuse, 1 Amp	1	1	1	1	1	1	1	1	1	1	1	1	1	1	1	2	2	2	2	2	2	2	2	2	2	2	2	2	2	2	2598317
	Strain Relief Kit	1	1	1	1	1	1	1	1	1	1	1	1	1	1	1	1	1	1	1	1	1	1	1	1	1	1	1	1	1	1	2598318
	Cable, EL Driver Board	1	1	1	1	1	1	1	1	1	1	1	1	1	1	1	1	1	1	1	1	1	1	1	1	1	1	1	1	1	1	2584098
	Cable, EL Driver Board, Large																1	1	1	1	1	1	1	1	1	1	1	1	1	1	1	2584099
	Cable Ribbon, 10-Pin Fault	1	1	1	1	1	1	1	1	1	1	1	1	1	1	1	1	1	1	1	1	1	1	1	1	1	1	1	1	1	1	2574174
Space Models Only																																
N/S	SP Trans. 208,416/120V,150VA, 50/60_CE	1					1					1																				2597312
	SP Trans 220-240/120 V, 150 VA, 50/60_CE		1					1					1																			2598823
	SP Trans. 277/120 V, 150 VA, 50/60_CE			1					1					1																		2598825
	SP Trans 480, 600/120V, 150 VA, 50/60_CE				1	1				1	1				1	1																2598826
	SP Trans 208, 416/120V, 250 VA, 50/60_CE																1										1					2598827
	SP Trans 220-240/120 V, 250 VA, 50/60_CE																	1										1				2598828
	SP Trans 380-347/120 V, 250 VA, 50/60_CE																		1										1			2598829
	SP Trans 480, 600/120V, 250 VA, 50/60_CE																			1	1								1	1		2598830
Optional Components																																
10	SP Fuse, Class T, 300V, 60amp											6	6														12	12				2597296
	SP Fuse, Class T, 300V, 50amp						6	6									12	12														2597262
	SP Fuse, Class T, 300V, 40amp	6	6																													2597294
	SP Fuse, Class T, 600V, 40amp			6	3	3			6	3									12	6												2597293
	SP Fuse, Class T, 600V, 50amp									3										3									6			2597263
	SP Fuse, Class T, 600V, 60 amp													3	3												6	6				2602907

* Optional component
N/S Not shown

Blower Pack Parts

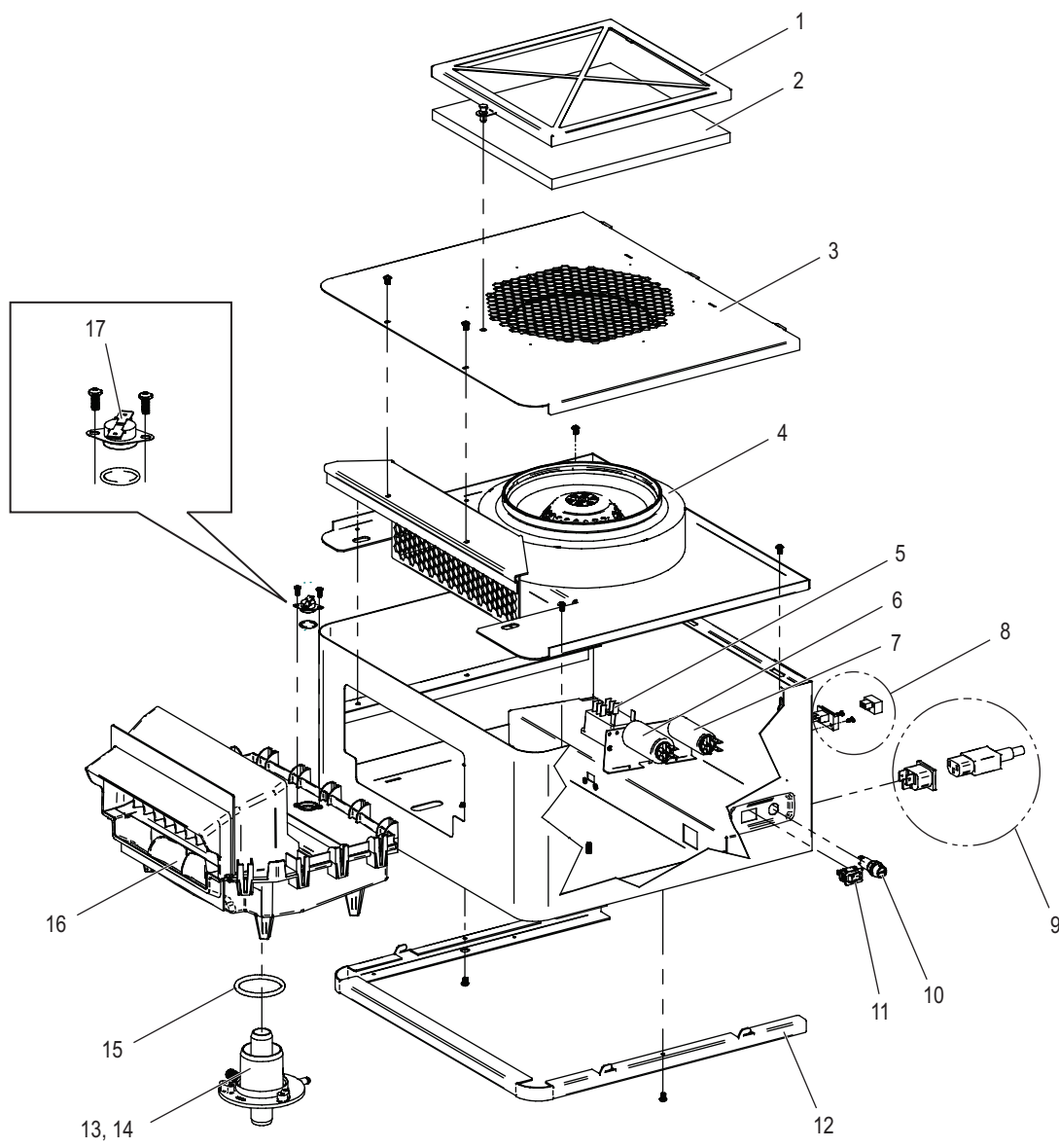


Figure 5: Blower Pack Parts

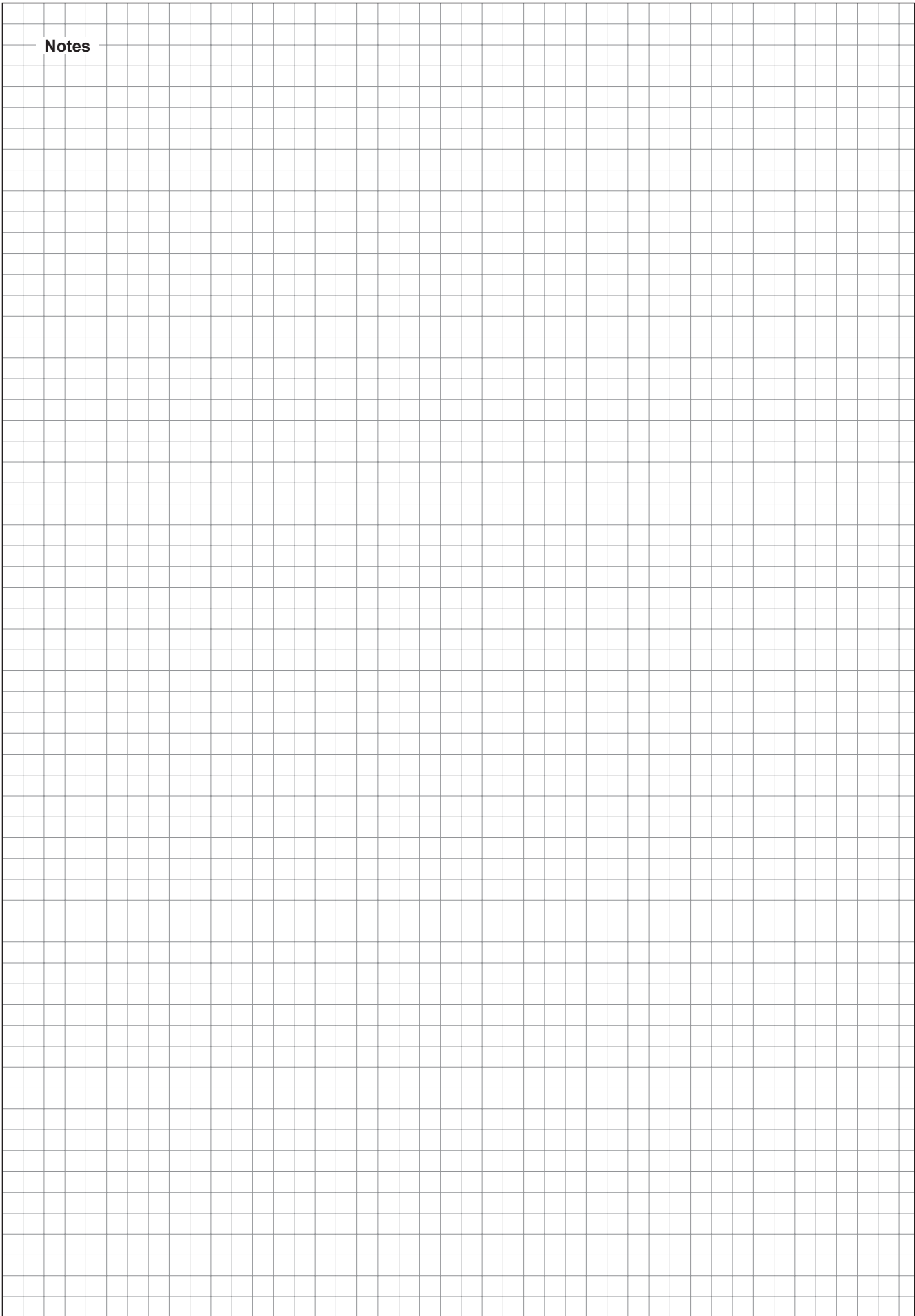
Table 5: Blower Pack Parts List

Item No.	Item Description	Quantity		Part Number
1	Filter kit (includes filter element), optional	1		2579375
2	Filter foam (only), optional	5		2579670
3	Cover Assembly Spare Kit	1		2579532
4	Fan Assembly, 115V Spare Kit	1		2579531
5	Safety Relay Spare Kit, 115V	1		2579528
6	Capacitor Spare Kit, 8µF	1		2579529
7	Capacitor Spare Kit, 20µF	1		2579530
8	Safety Connector Spare Kit (includes hardware and spare fasteners)	1		2579391
9	Power Connector and Receptacle Spare Kit	1		2579390
10	Fuse Holder and Fuse Spare Kit	1		2579392
11	Speed Switch Spare Kit	1		2582281
12	Spacer Assembly Spare Kit	1		2579533
13	Steam Outlet Kit, 1-3/4 in (45 mm) (includes O-ring)	1		2581248
14	Steam Outlet Kit, 7/8 in (22 mm) (includes O-ring)	1		2581247
15	O-ring, Steam Inlet, Replacement	3		2579681
16	Distributor Assembly Spare Kit (includes O-ring)	1		2579384
17	Thermostat Spare Kit	1		2579527

Table 6: Nortec EL Spare Parts Bag

Item No.	Item Description	Nortec EL Model	Quantity			Part Number
			005-030	050-100	150-200	
N/S	Parts Bag, SP (qty. 1) Kit consists of: Clamps, hose, small x2 Hose, steam, small, 7/8 in ID Hose, condensate, 3/8 in ID Hose, drain, preformed		1			2594677
	Kit consists of: Clamps, hose, large Clamps, hose, small Hose, steam, large, 1 3/4 in ID Hose, condensate, 3/8 in ID Hose, drain, preformed		1			2594678
				1		2594679

Notes



Warranty

Condair Inc. and/or Condair Ltd. (hereinafter collectively referred to as THE COMPANY), warrant for a period of two years after installation or 30 months from manufacturer's ship date, whichever date is earlier, that THE COMPANY's manufactured and assembled products, not otherwise expressly warranted, are free from defects in material and workmanship. No warranty is made against corrosion, deterioration, or suitability of substituted materials used as a result of compliance with government regulations.

THE COMPANY's obligations and liabilities under this warranty are limited to furnishing replacement parts to the customer, F.O.B. THE COMPANY's factory, providing the defective part(s) is returned freight prepaid by the customer. Parts used for repairs are warranted for the balance of the term of the warranty on the original humidifier or 90 days, whichever is longer.

The warranties set forth herein are in lieu of all other warranties expressed or implied by law. No liability whatsoever shall be attached to THE COMPANY until said products have been paid for in full and then said liability shall be limited to the original purchase price for the product. Any further warranty must be in writing, signed by an officer of THE COMPANY.

THE COMPANY's parts or materials that are considered consumables, including but not limited to: cylinders, filters, nozzles, membranes, media, gaskets, O-rings, etc. are NOT covered by the warranty.

THE COMPANY makes no warranty and assumes no liability unless the equipment is installed in strict accordance with a copy of the catalog and installation manual in effect at the date of purchase and by a contractor approved by THE COMPANY to install such equipment.

THE COMPANY makes no warranty and assumes no liability whatsoever for consequential damage or damage resulting directly from misapplication, incorrect sizing or lack of proper maintenance of the equipment.

THE COMPANY makes no warranty and assumes no liability whatsoever for damage resulting from freezing of the humidifier, supply lines, drain lines, or quality of the water used.

THE COMPANY retains the right to change the design, specification and performance criteria of its products without notice or obligation.

THE COMPANY's limited warranty on accessories, not of the companies manufacture, such as controls, humidistats, pumps, etc. is limited to the warranty of the original equipment manufacturer from date of original shipment of humidifier.

Extended Warranty

Extended warranties are available to purchase under the conditions listed above.

CONSULTING, SALES AND SERVICE:

U.S.A.
835 Commerce Park Drive,
Ogdensburg, NY 1366-2209

CANADA
2740 Fenton Road
Ottawa, ON, K1T 3T7

Tel: 1.866.667.8321
Fax: 613.822.7964

Email: na.info@condair.com
Website: www.condair.com

