

Outdoor Duct Temperature Sensor Installation Instructions

This document covers the operation and installation instructions for the following Condaïr outdoor duct temperature sensor:

Kit No.	Description
----------------	--------------------

2520263	Outdoor Duct Temperature Sensor
---------	---------------------------------

The Condaïr CDT temperature sensor can be used together with the following Condaïr Digital Humidity Controllers:

Part No.	Description
-----------------	--------------------

2597928	0-10V Digital Wall Humidistat
---------	-------------------------------

2520259	On/Off Digital Wall Humidistat
---------	--------------------------------

2597929	0-10V Digital Duct Humidistat pkg.
---------	------------------------------------

2520273	On/Off Digital Duct Humidistat pkg.
---------	-------------------------------------

2597934	Digital Wall ON/OFF Humidistat pkg.
---------	-------------------------------------

2597935	Digital Duct ON/OFF Humidistat pkg.
---------	-------------------------------------

The humidity controller used together with CDT temperature sensor reads the duct air temperature measured by the CDT temperature sensor and reduces the humidity control set point during cold weather operation to prevent condensation on windows and building structures:

1 – Installation Instructions

Location:

The Condaïr CDT temperature sensor is mounted directly onto the fresh air intake of the ventilation duct.

Installation:

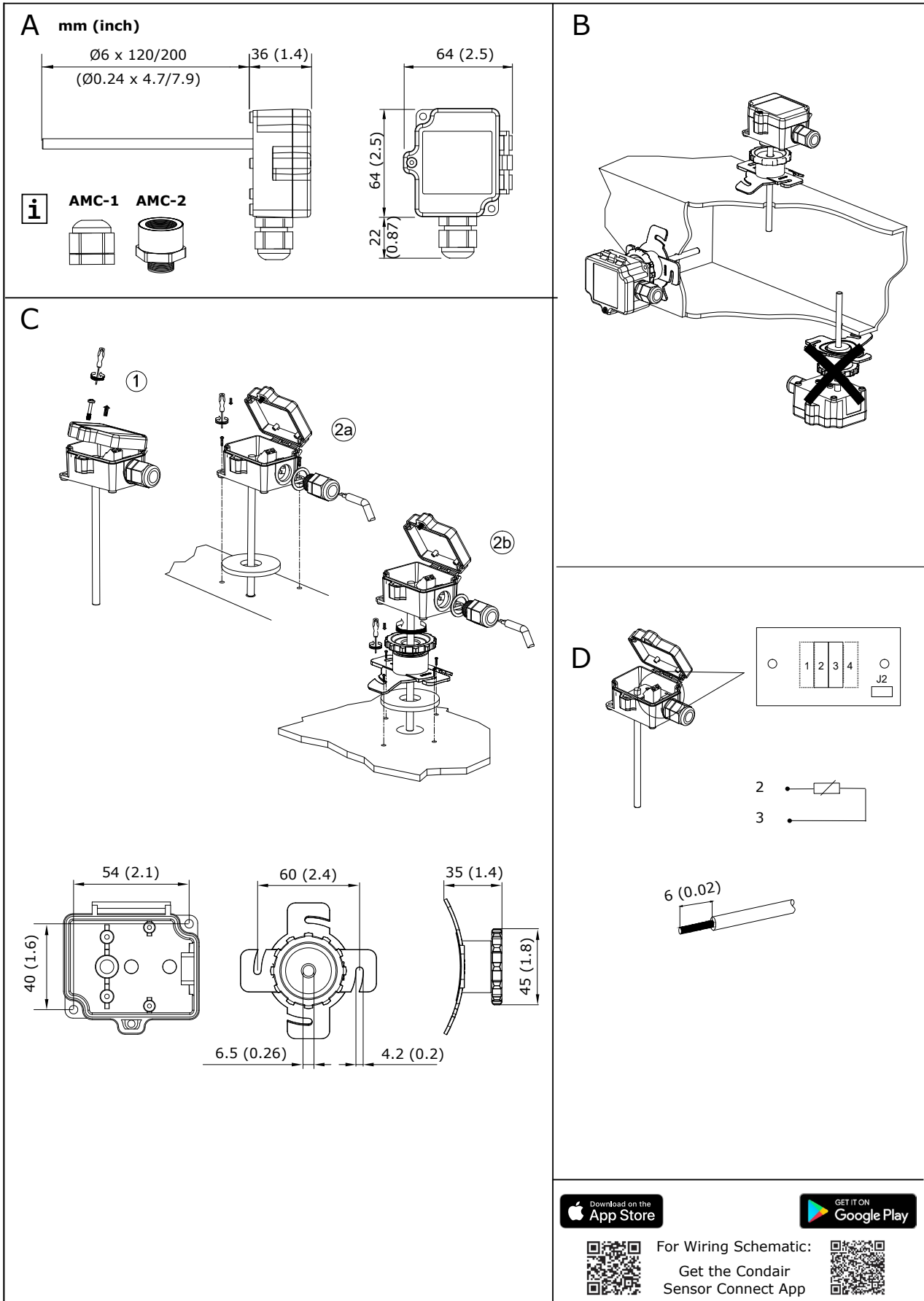
Refer to installation overview in section 2.

1. Locate the temperature sensor near the fresh air intake. This will ensure accurate representation of the outdoor air temperature.
2. Open the housing by removing the screw securing the housing together.
3. Push the probe through the center hole and tighten the two mounting screws.
4. Drill a 3/8" (8 mm) hole in the duct and insert the probe into the air stream.
5. Secure the sensor to the duct using two sheet-metal screws.
6. Connect the signal wires to the sensor terminal strip. Connect the plug from the temperature probe to the PCB board.
7. Close the cover and secure using the screw removed in step 2.

2 – Installation overview



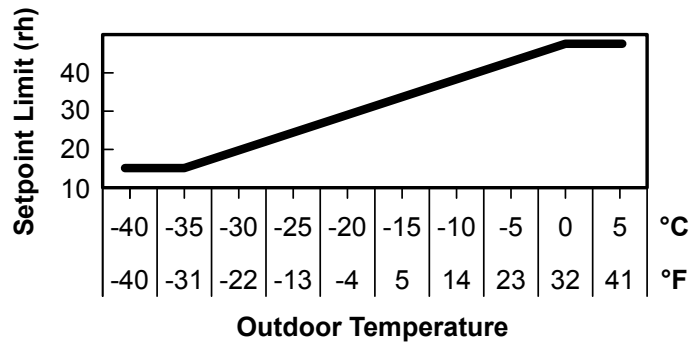
**CDT
2520263**



3 – Product Specification

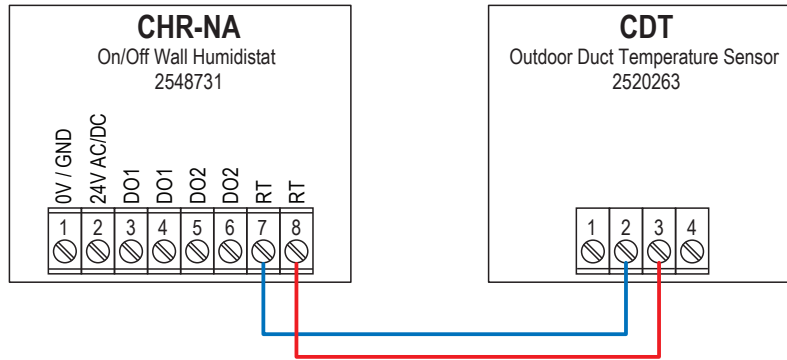
Sensing Probe	Thermistor Type	10kΩ NTC, Curve 24
	Range	-40° to 212° F (-40° to 100°C)
	Accuracy	± 0.4 K AT 32°F (0°C)
Environment	Ambient Temperature	40° to 212° F (-40° to 100°C)
	Humidity	<95 %rH not condensing
Housing Material	Cover	Fireproof ABS plastic
	Mounting Plate	Fireproof ABS plastic
	Sensor Probe	Stainless Steel

Setpoint Versus Outdoor Temperature



4 – Wiring Diagrams

Wiring diagram CDT-CHR-NA



Wiring diagram CDT-RCC-NA

