

QUICK INSTALL GUIDE FOR PROFESSIONALS

Condair HumiLife
Whole-home Steam Humidifier
Condair RH

Thank you for choosing Condaair

Cautions and Warnings



CAUTION: Servicing

- The unit is mains powered. Disconnect main power before any servicing.
- Electrical compartment contains high voltage components. Access should be limited to authorized personnel only.
- The unit is hot. Wait for the unit to drain and cool before servicing. During and following operation of the humidifier, the steam and components in contact with the steam such as the steam lines, steam distributors, and condensate lines can become hot and can burn if touched.
- Condaair does not accept any liability for installations of humidity equipment installed by unqualified personnel, or the use of parts, components, or equipment that are not authorized or approved by Condaair.



CAUTION: Electrical

- All electrical work should be done according to all applicable local and national codes.
- Electrical connection to be performed by a licensed electrician.



CAUTION: Plumbing

- (Recommended) Plumbing to be performed by a licensed plumber.
- Drain water from the humidifier can be very hot. Drain to an appropriate floor drain.
- All plumbing work should be done according to local plumbing code.



CAUTION: Installation

- **Do NOT** mount in area where freezing can occur.
- **Do NOT** mount on vibrating surface.
- **Do NOT** mount on the floor.
- **Do NOT** block the steam outlet.
- (Recommended) Install an air proving switch.
- Do install steam lines to prevent any restrictions that may cause back-pressure in the humidifier.
- Ensure furnace fan is operating while the humidifier is generating steam.
- Keep out of reach of children.

What's in the box?

- Condaair HumiLife Steam Humidifier
- Quick Start Guide
- Steam Distributor & Gasket
- Humidity sensor (duct)
- Water (fill) hose, 20 ft (6 m)
- Steam hose, 5 ft (1.5 m)
- Drain hose, 10 ft (3 m)
- Fittings

What you'll need

Condaair HumiLife app. Find the app in the App Store® (iPhone) or Google Play Store (Android).
(required to finalize the installation)

Google Play (Android)



App Store (iOS)



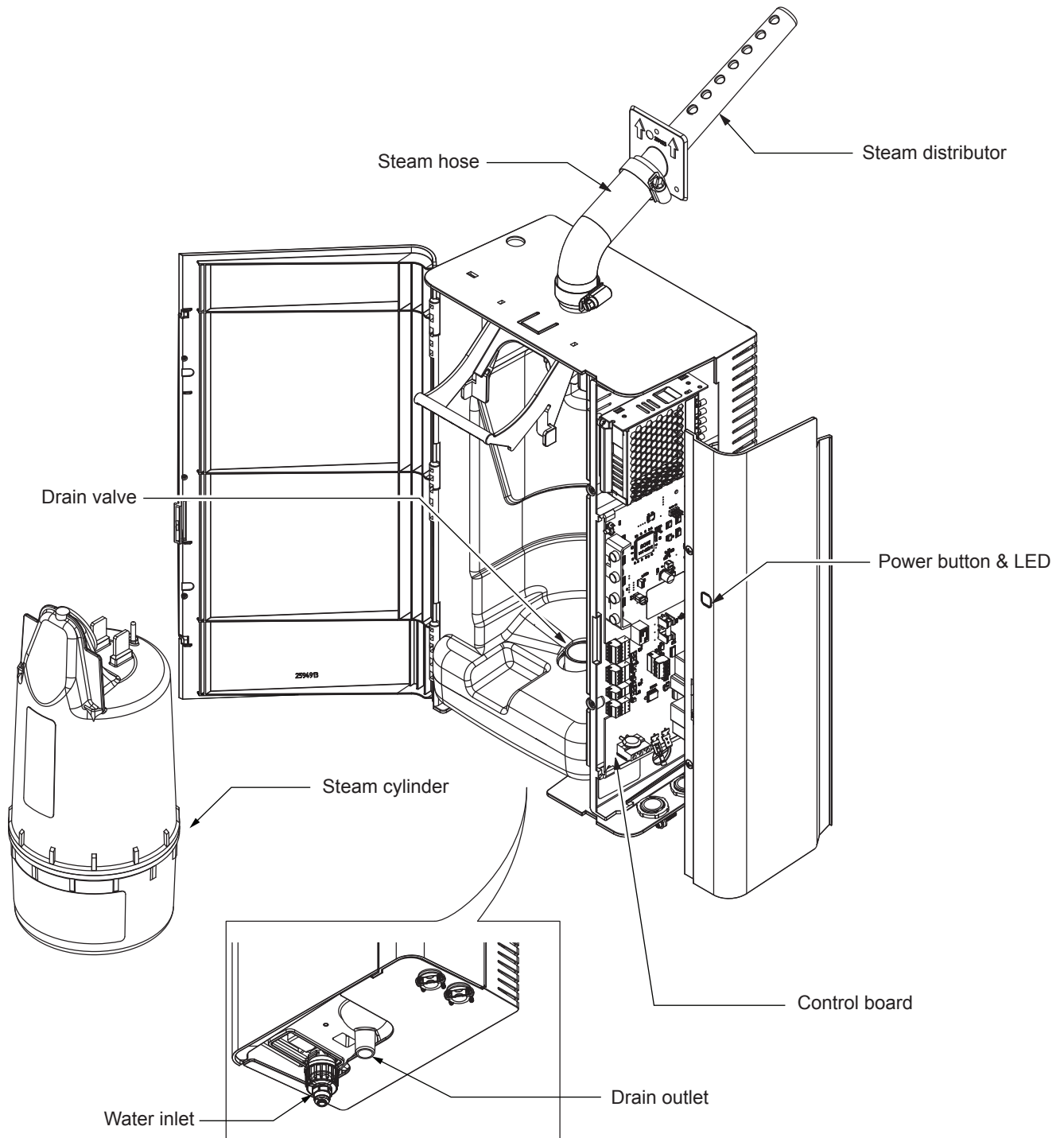
Access to:

- Drain
- Water supply
- Forced air ventilation system
- Wall studs (for wall mounted installations)

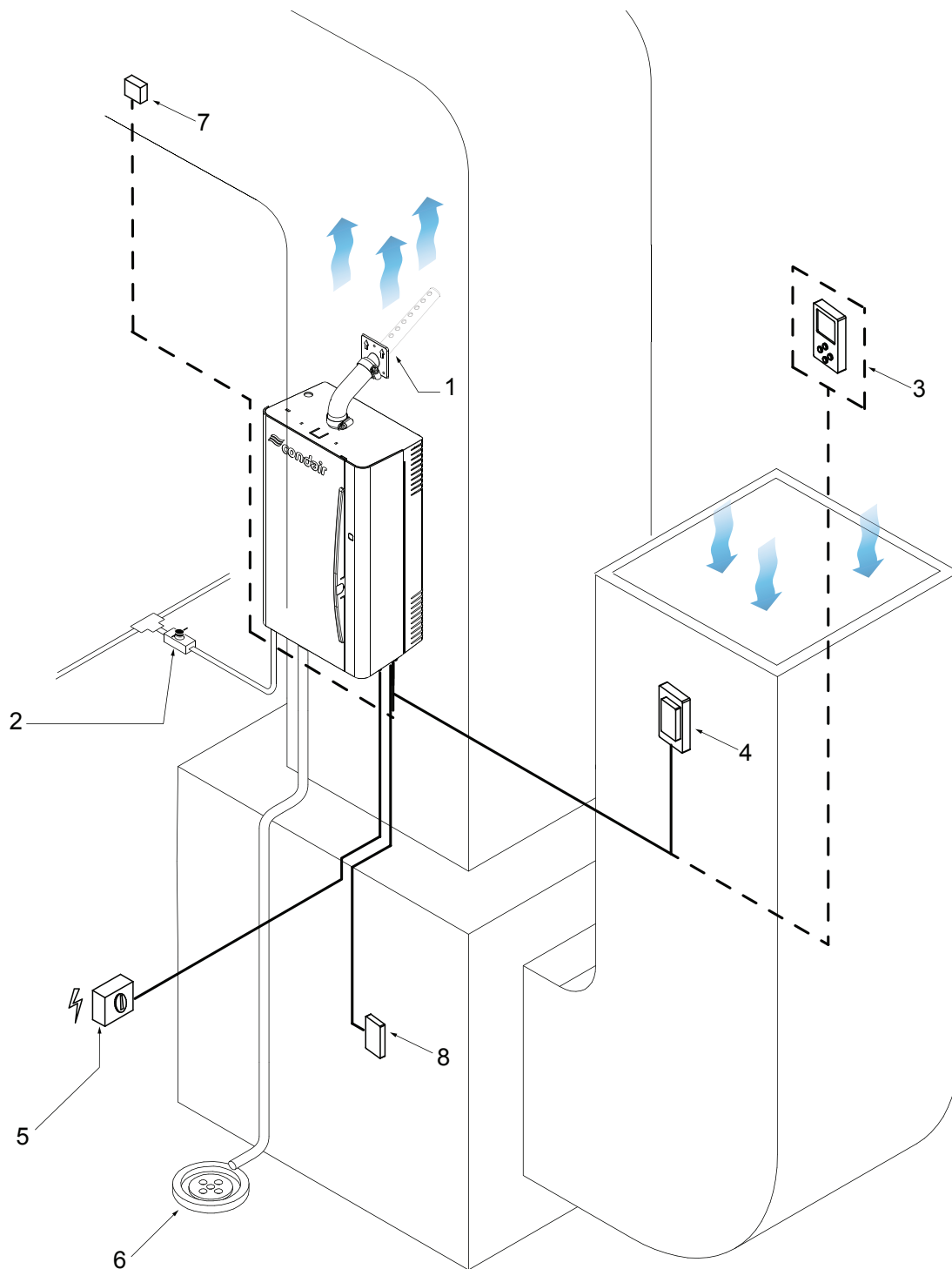
Tools:

- Phillips (+) screwdriver
- Flat-head (-) screwdriver
- Pliers
- Level
- Hole saw, 1.2 in (30 mm) & 5/8 in (16 mm)
- Drill and bits
- Box cutter (or other sharp knife)
- Wire cutter and wire stripper

Product Overview



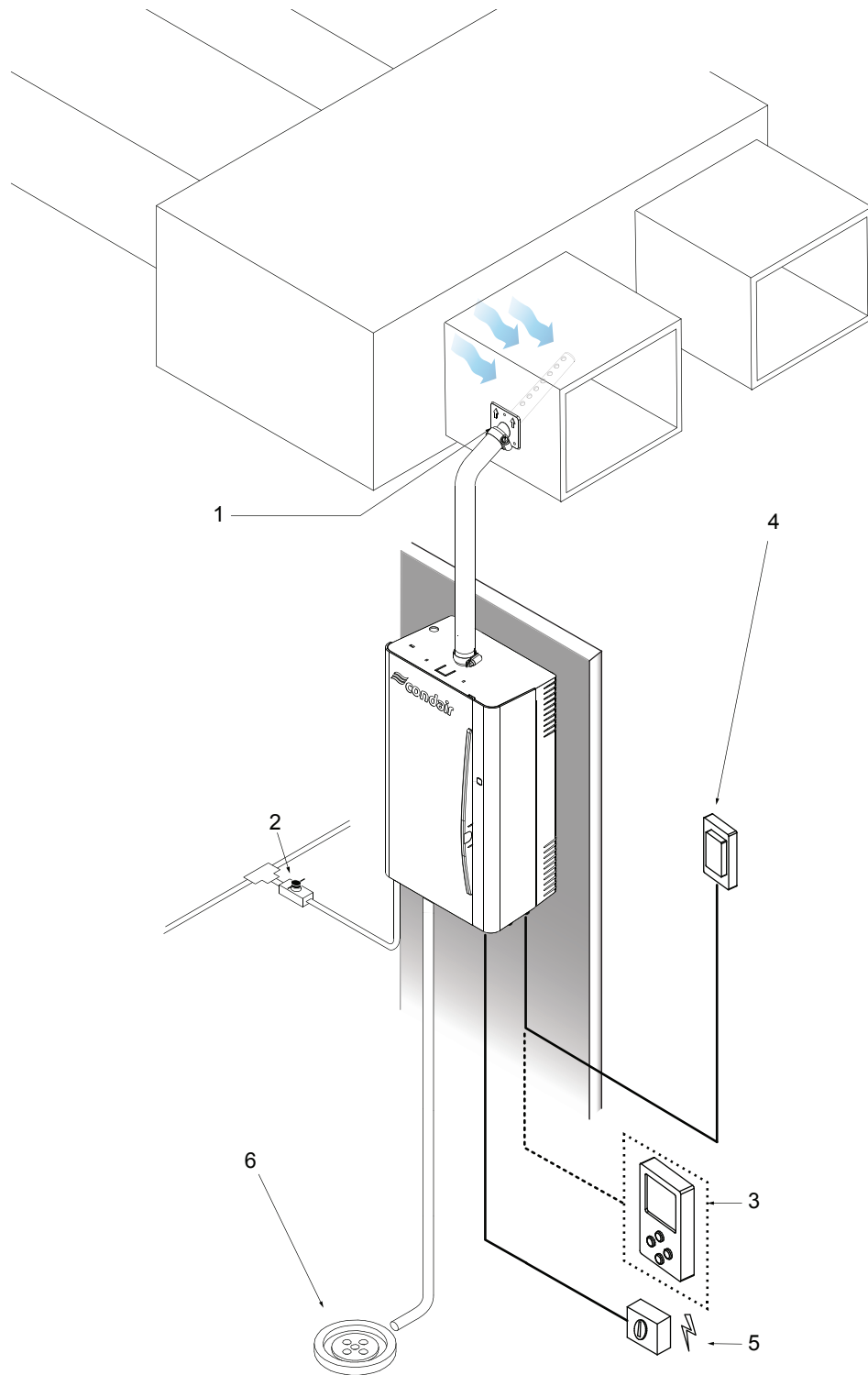
Installation Overview (Furnace)



- | | | |
|---------------------------------------|---|-----------------------------------|
| 1 Steam distributor | 4 Relative humidity (RH) duct sensor * | 7 High limit sensor (recommended) |
| 2 Water shut off valve (not supplied) | 5 Electrical disconnect switch (not supplied) | 8 Fan enable/activation |
| 3 On/Off wall humidistat * | 6 Drain (not supplied) | |

* only an on/off humidistat (not supplied) OR RH sensor (supplied) should be installed.

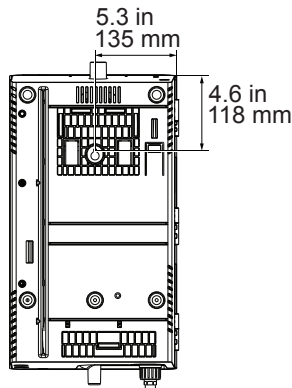
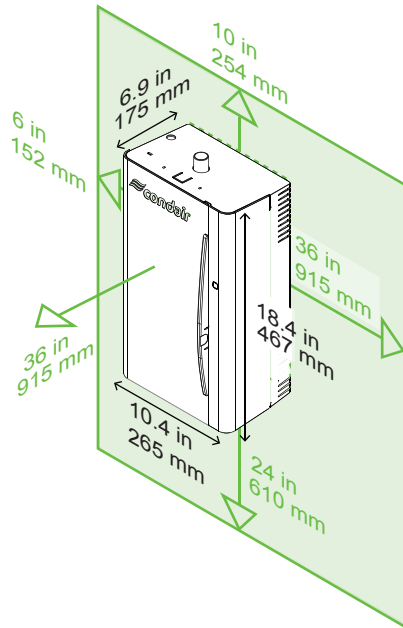
Installation Overview (HRV)



- | | | |
|---------------------------------------|--|---|
| 1 Steam distributor | 3 Relative humidity (RH) duct sensor * | 5 Electrical disconnect switch (not supplied) |
| 2 Water shut off valve (not supplied) | 4 On/Off wall humidistat * | 6 Drain (not supplied) |

* only an on/off humidistat (not supplied) OR RH sensor (supplied) should be installed.

Location and Clearances



The Condair HumiLife RH may be installed on a wall and remotely connect to your ventilation system, or directly onto the ventilation duct.

When choosing the location for your humidifier, ensure there is enough clearance for servicing and maintenance, and for the installation of the steam line and steam distributor.

For remote installations, you will require a longer steam hose, so consider the steam line recommendations below for efficient humidification.

For installations on a wall, mount the unit on wall studs (2x4 or equivalent).

For installations directly on the duct, use the mounting template (supplied) to locate pilot holes for mounting the unit and installing the steam distributor.

(Recommended) Install the distributor first. The location of the distributor will define the location of the humidifier.

Net / Full Weight lb (kg)	Dimensions HxWxD in (mm)
19 / 26 lb (8.6 / 11.8 kg)	18.4 x 10.4 x 6.9 in (467 x 265 x 175 mm)

Clearance dimensions shown are for reference only and are the minimum required for maintenance of the humidifier. Consult local and national code before final location and installation.

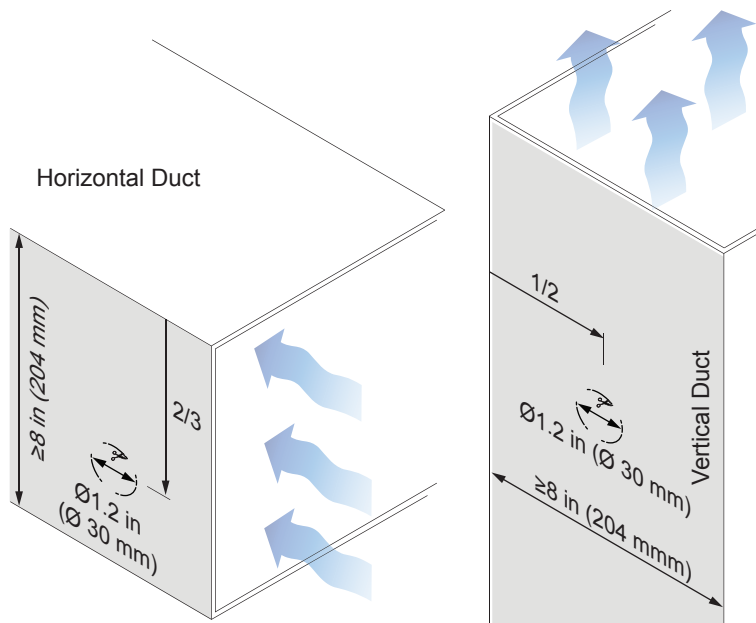
Condair does not accept responsibility for installation code violations.

Important Considerations for the Steam Line

- Install the humidifier below the steam distributor.
- Install support brackets (one supplied with the humidifier) to prevent sagging in the steam line. If sagging occurs, use additional support brackets.
- Install the humidifier as close as possible to the steam distributor. Short distances minimize condensate losses and reduces the possibility of back pressure in the steam line.
- Bend radius: 6 in (150 mm) minimum.
- Length: 15 ft (4.5 m) maximum.
- Slope: 15° min. (up-slope), 2° max. (down-slope).
Note: install condensate traps at low points if the steam line has any down-slope.
- Steam line material: Condair steam hose (supplied), or properly insulated stainless steel or copper, with max. surface temperature at 140 ° F (60 °C).
- Clamp torque: 12 in-lb (1.36 Nm) (max. at humidifier outlet).

Installing the Steam Distributor

1.

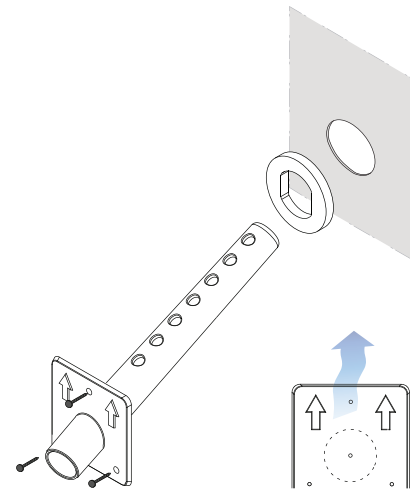


Create a 1.18 in (30 mm) hole in the duct. Install distributor on the supply duct, after the cooling coil, and before any bends or obstructions.

For horizontal ducts, cut the hole at roughly 2/3 of duct height, from the top.

For vertical ducts, cut the hole halfway between the two sides of the duct.

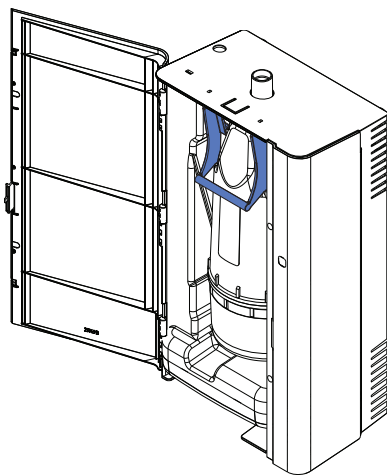
2.



Place a gasket over the steam distributor and insert the distributor into the duct. Ensure that the arrows on the distributor are pointing up. Secure the distributor to the duct with self-tapping screws.

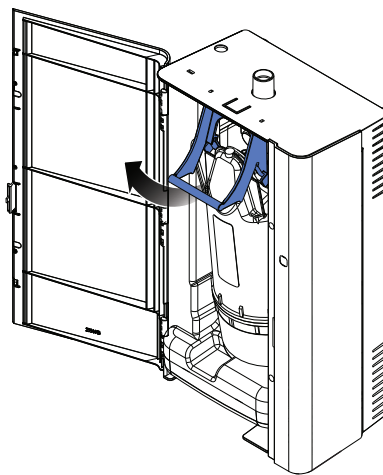
Removing the Steam Cylinder

1.



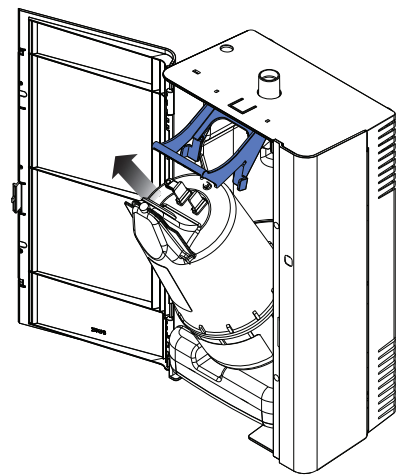
Open the door to the humidifier.

2.



Pull the lever upwards. The lever will push the cylinder out.

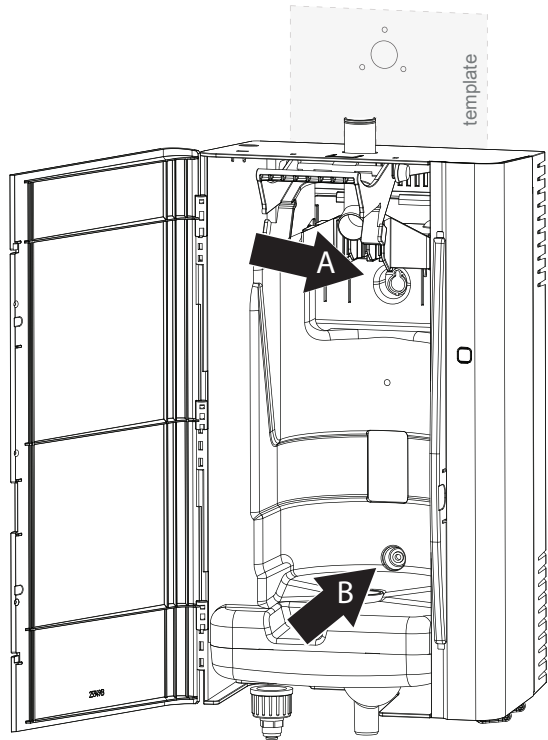
3.



Pull the cylinder out of the humidifier.

Mounting Your Humidifier

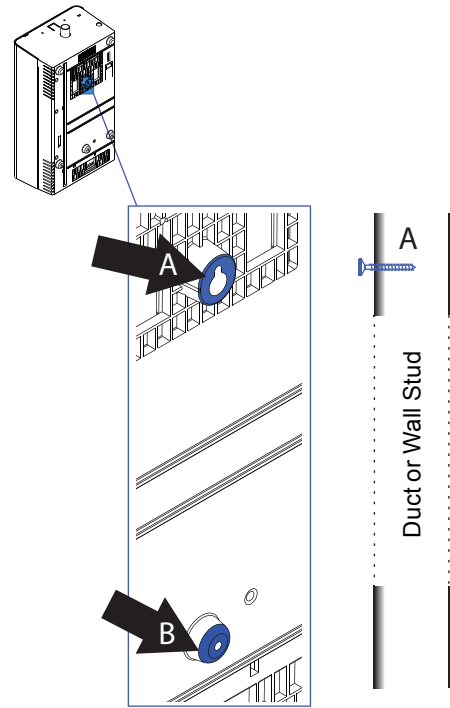
1.



Open the door to the humidifier. Remove the steam cylinder if it is installed.

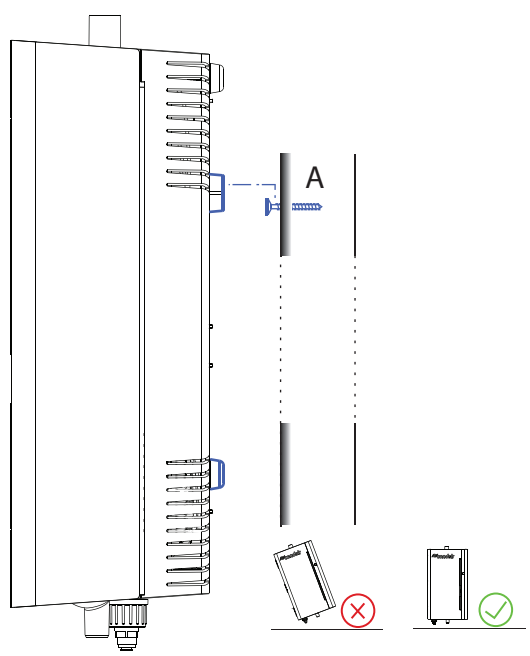
Tip: For installations directly on the duct, place the mounting template on the duct and secure with tape. The template will show you where to cut a hole for the distributor.

2.



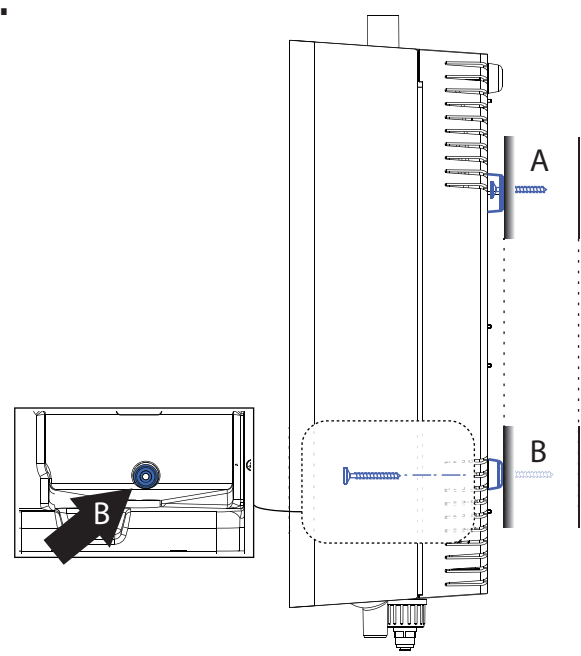
On the wall stud (2x4 or equivalent) or duct, mark the location for the key hole A (on the back of the humidifier). Insert a screw at A. Leave space on the screw to hang the humidifier.

3.



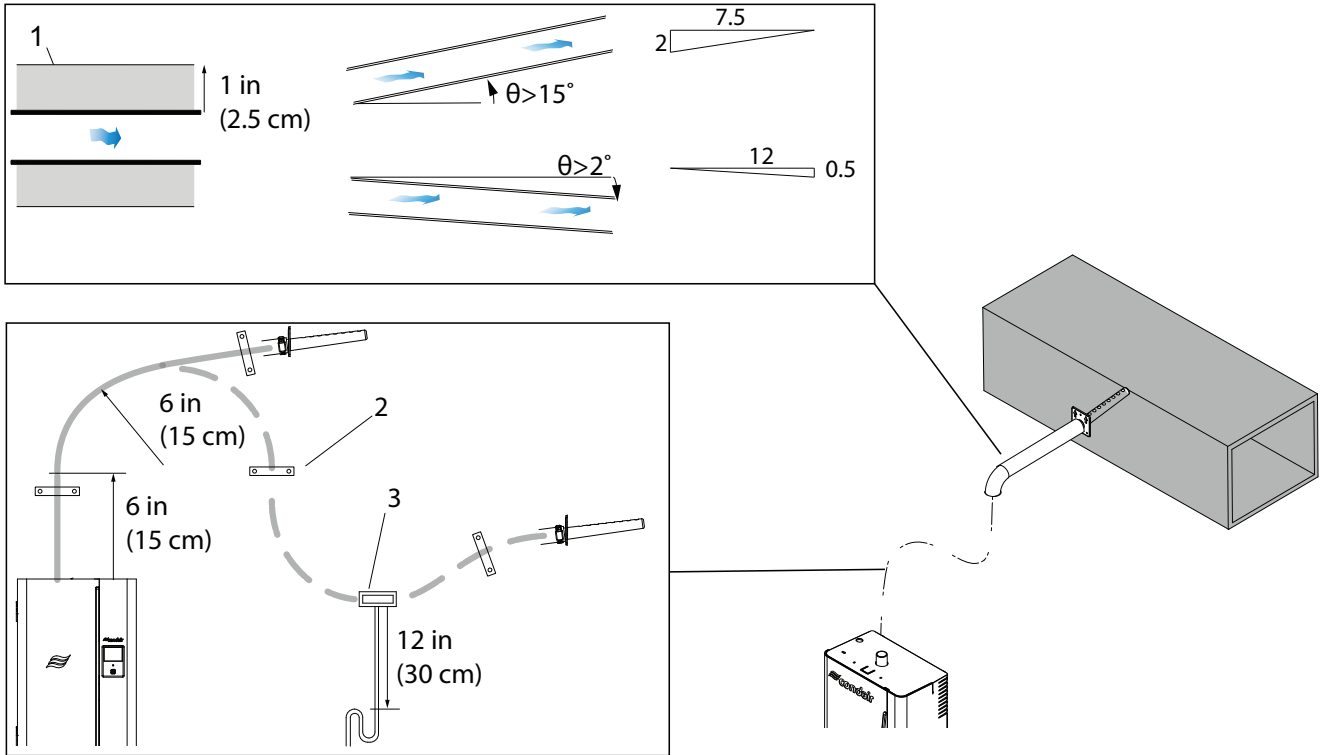
Raise and hang the humidifier on the screw A. Ensure the unit is level.

4.



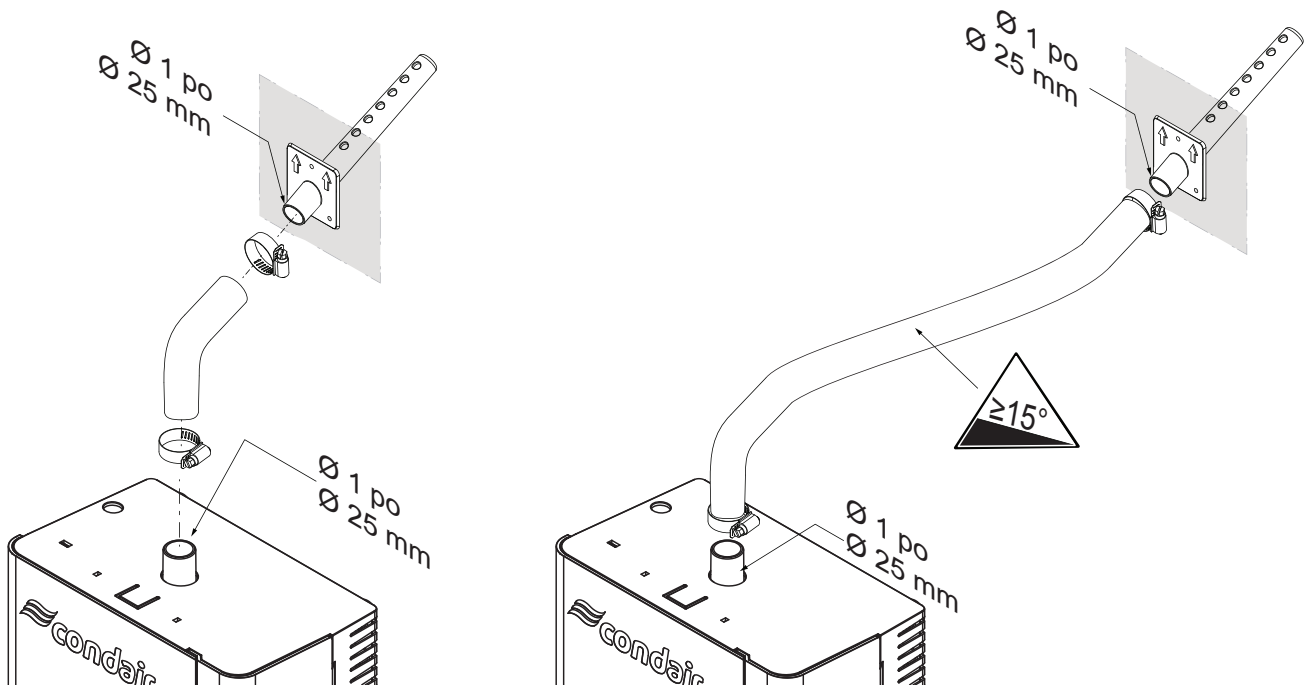
Through the inside of the humidifier, insert and tighten a screw into the lower mounting hole B. Tighten the top screw at A.

Installing the Steam Line



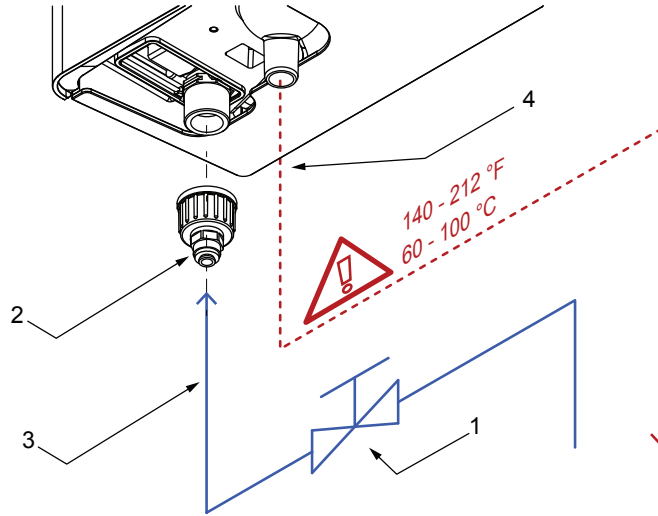
Remote Mounted Installation with Steam Distributor (horizontal duct shown)

- 1 Insulation (recommended)
- 2 Brackets, support (supplied by others)
- 3 T-connector, condensate trap (supplied by others)



Installation de la conduite et du distributeur de vapeur

Water Supply and Drain Connections



Water Supply and Drain Connection

- 1 Water shut off valve
- 2 Inlet, quick connect (supplied)
- 3 Inlet water line, 1/4 in (6.4 mm) (supplied)
- 4 Drain line, 3/4 in (20 mm) I.D. (supplied)

Water Supply Requirements

Quality	Potable water (do not use reverse osmosis or deionized water)
Pressure	30 - 80 psig (2 - 5.5 bar)
Temperature	39 - 86 °F (4 - 30 °C), cold water
Conductivity	125 - 1250 µS/cm
Other	<ul style="list-style-type: none"> • Water shut-off valve installed before the humidifier (for service). • Installed according to national and local plumbing code.

Drain Requirements

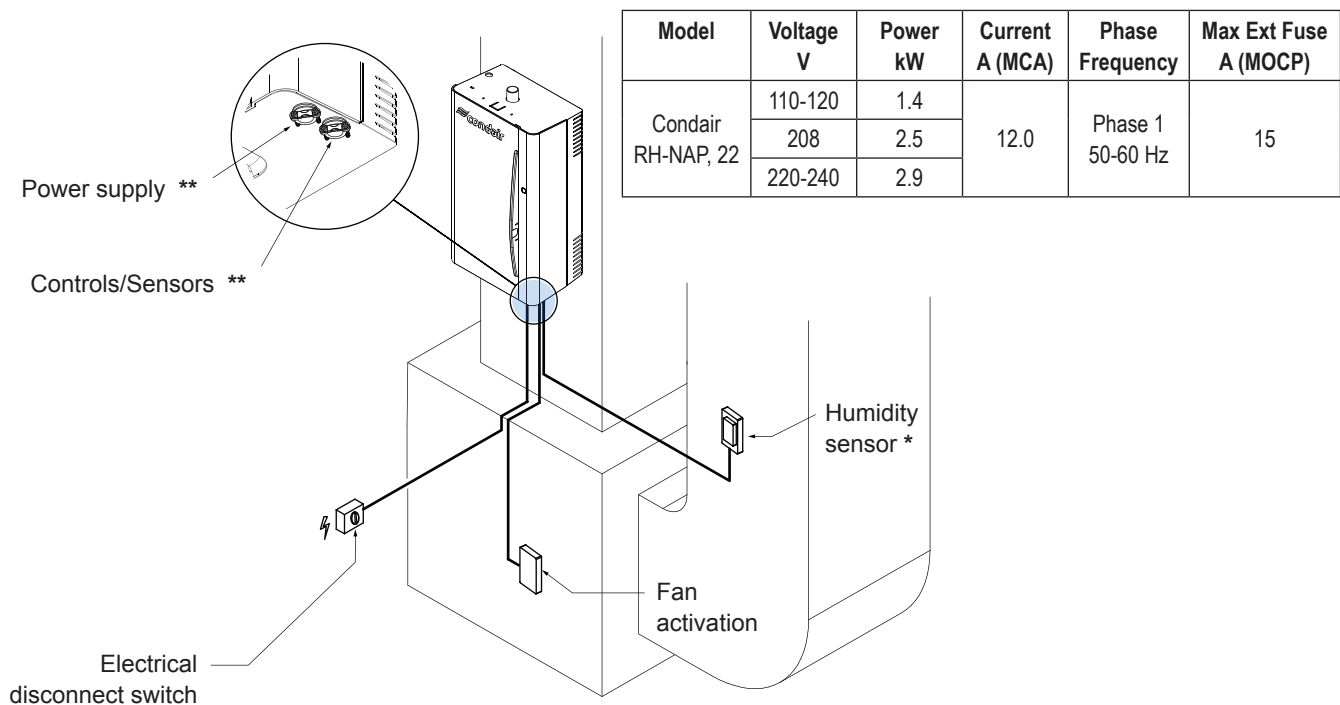
The Condair HumiLife RH produces hot water during operation. Upon normal drainage, the drain water is automatically cooled to 140 °F (60 °C).

IMPORTANT! Drain water may reach high temperatures 212 °F (100 °C) in cases where the supply water is not cold, or obstructed.

Considerations for the drain connection

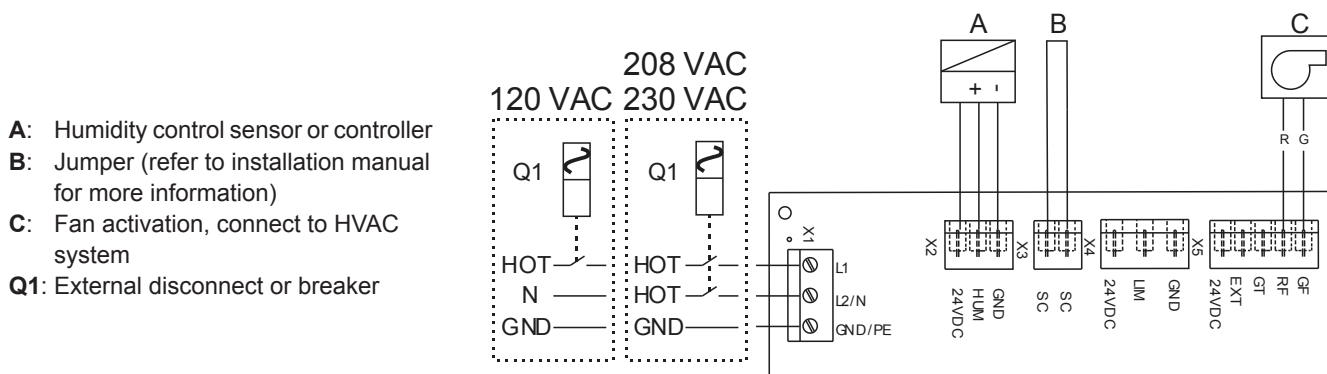
- (Recommended) Drain line is made of a material rated to handle hot temperatures, 212 °F (100 °C).
- (Recommended) Use the drain line hose supplied with the humidifier. For longer runs, use copper pipe with the same inner diameter as the drain line hose supplied with the humidifier, inner diameter: 3/4 in (20 mm).
- Ensure that the internal diameter throughout the drain line is constant.
- Ensure that the drain line is adequately sized. A restricted drain line may result in higher mineral concentrations in the water and can result in poor performance.
- Ensure that the drain line is routed to a floor drain (or where plumbing codes permit). If the drain is far from the humidifier, use a condensate pump rated for hot drain water.
- Ensure that the drain line has a consistent, downward slope (1.2°) to the drain.

Installing the Electrical Connection and Controls



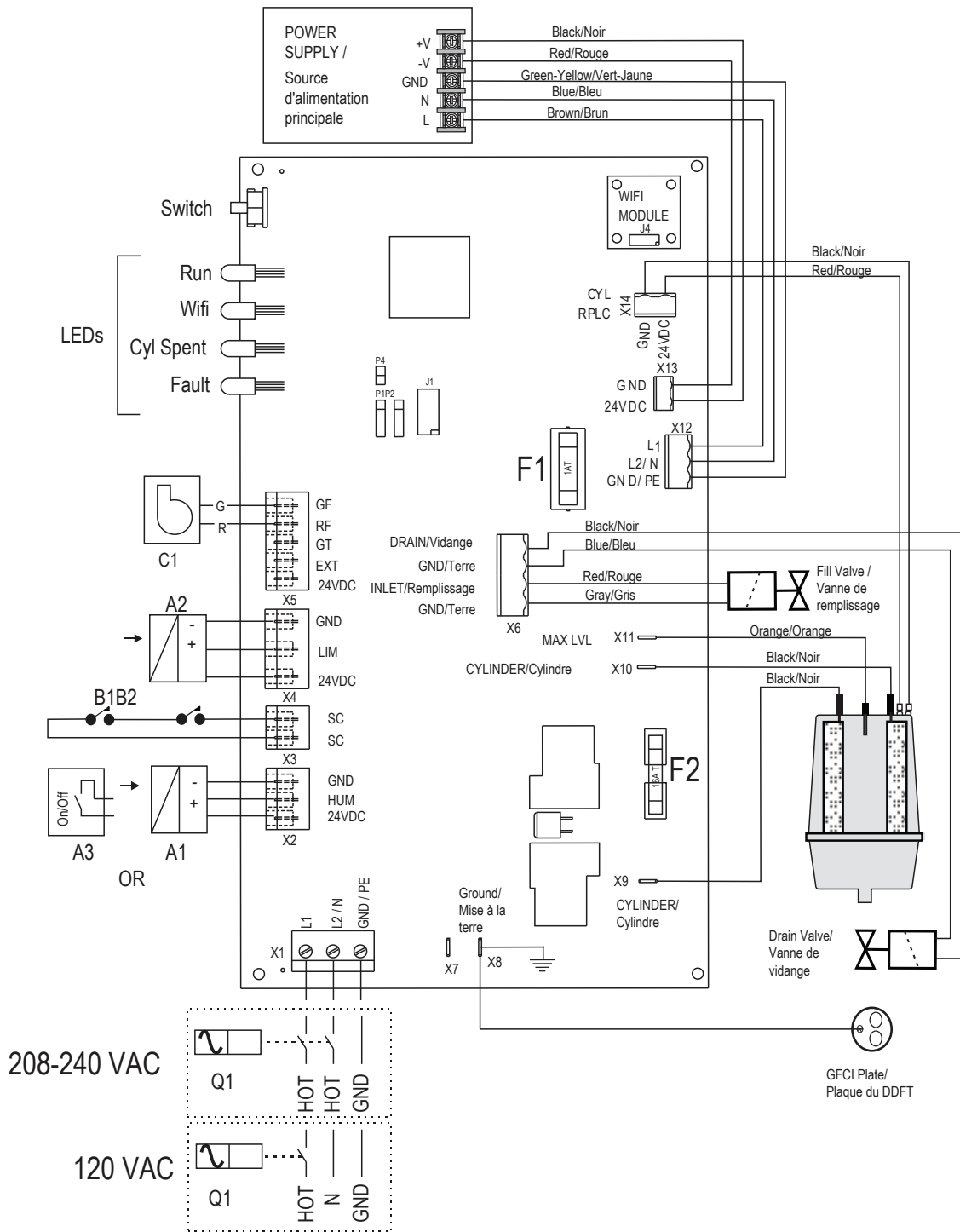
* for other control devices, refer to installation manual.

** route cables and wires though strain relief clamps.



Consult the Installation Manual for electrical connection requirements and guidelines.

Electrical – Wiring Diagram



Wiring Diagram

- | | | | | | |
|----|---|-------|--|----|--------------------------------|
| A1 | Humidity control sensor or controller (Install either A1 or A3) | B1/B2 | Air proving switches, safety high limit humidistat, or external contact. Jumper, use if air proving switch or furnace fan not installed. | F1 | Fuse 1AT (5x20 mm) |
| A2 | High limit control sensor or controller (highly recommended) | C1 | Fan activation, connect to HVAC system | F2 | Fuse 16AT, SPT (5x20 mm) |
| A3 | Humidistat (On/Off). Install either A1 or A3 | | | Q1 | External disconnect or breaker |

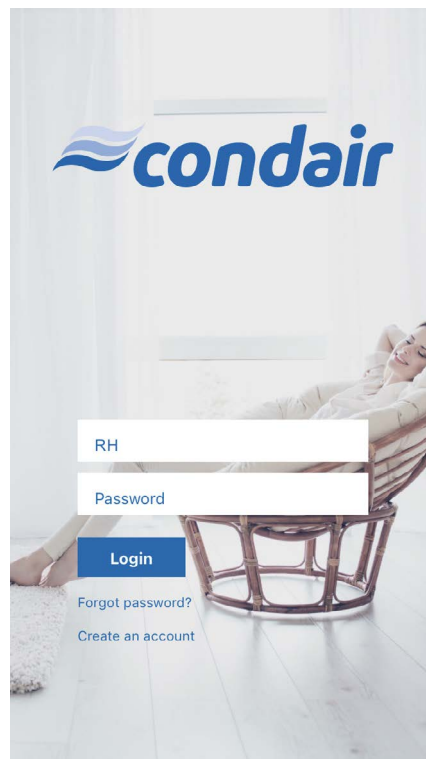
Commissioning with App in Professional Mode (without WIFI)

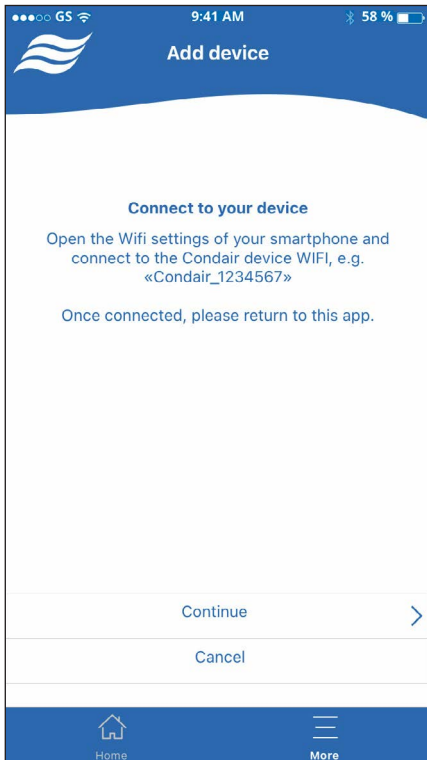
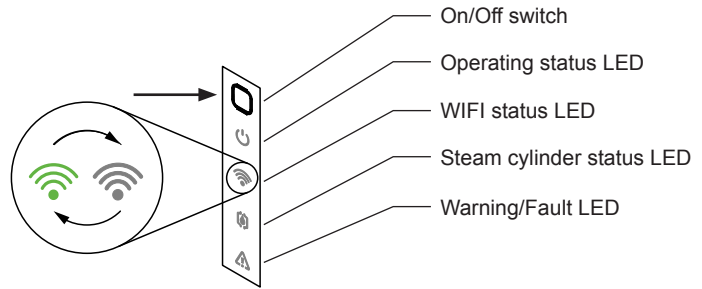
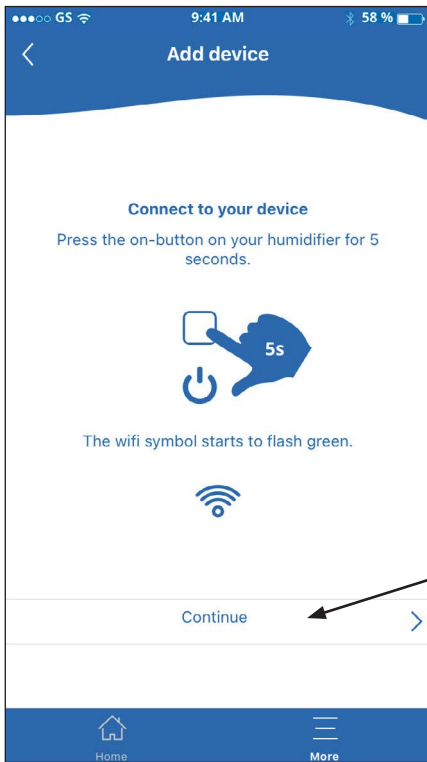
The app can be downloaded from either the "Google Play Store" or the "Apple App Store".
The app can be found by searching "Condair HumiLife" or by using the following QR codes:

Google Play Store

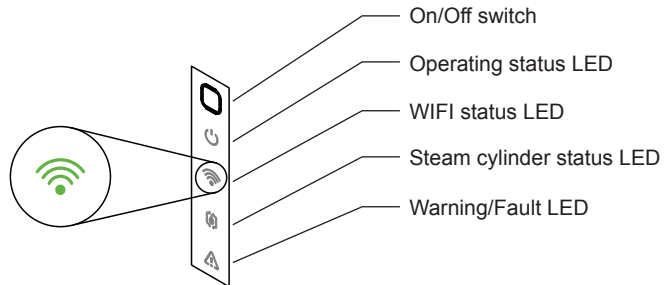


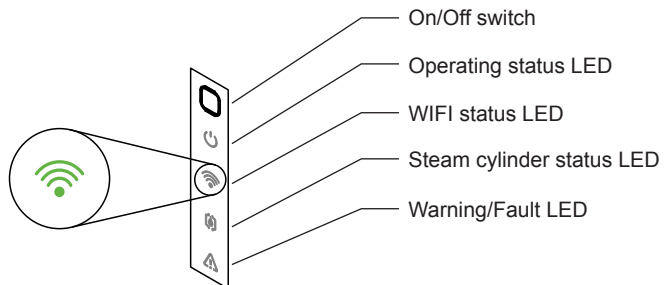
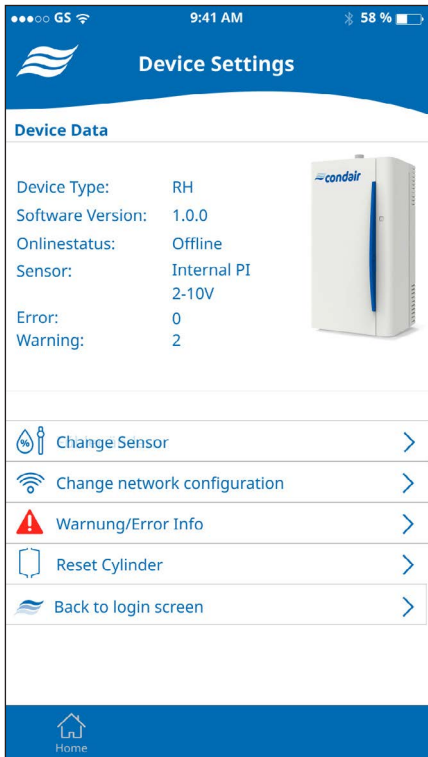
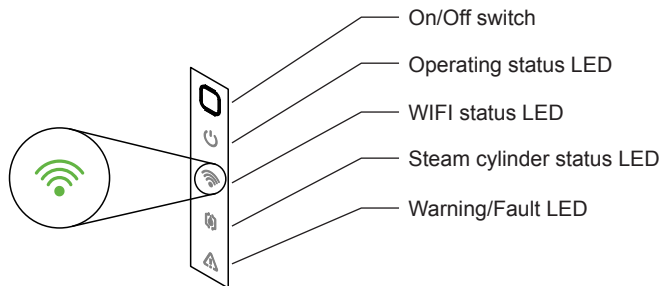
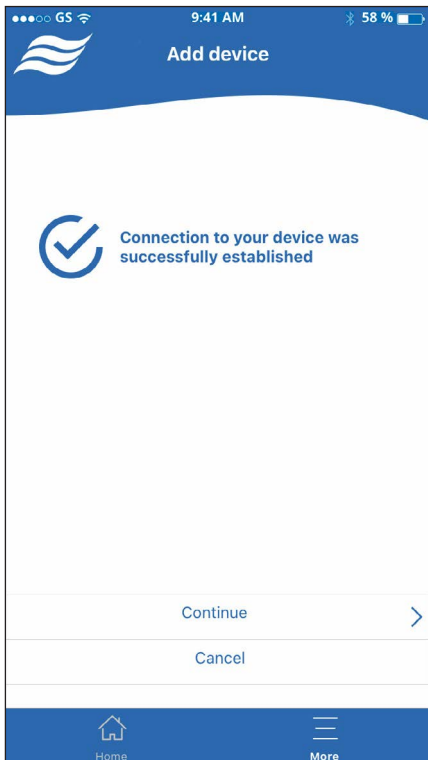
Apple App Store

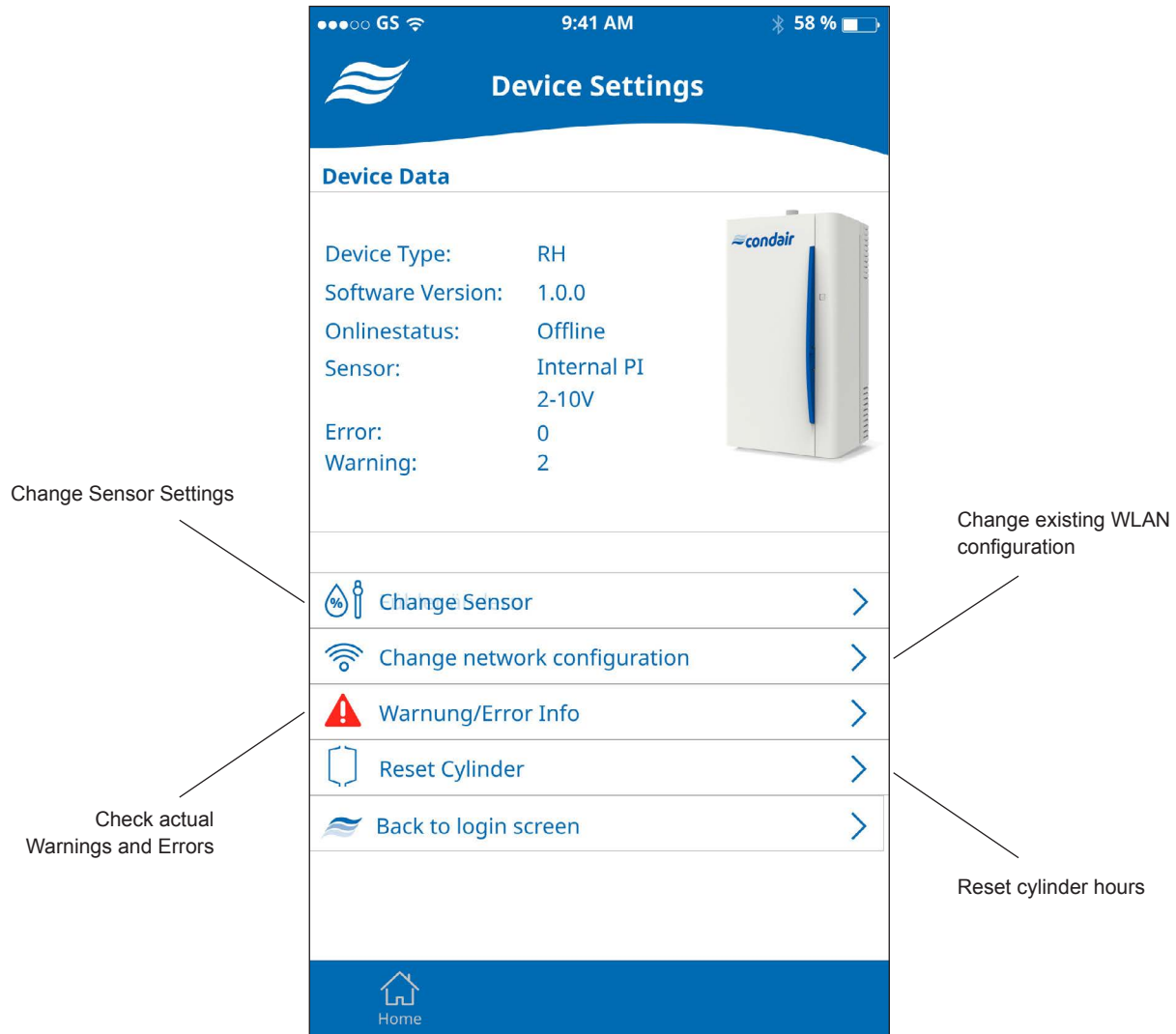




Call up the WLAN settings in the smartphone's device settings
 Search for the WLAN **Condair_ "serial number"**.
 "serial number" corresponds to a 7-digit number.





















Commissioning with App in Professional Mode (With WIFI)

- Download the Condair HumiLife app from the App Store (iPhone) or Google Play Store (Android).
- Open the app and allow it to load. Press **<Add Device>**.
- Turn on the humidifier by pressing the power button for 2 seconds.
- Press and hold the power button on the humidifier for 5 seconds (the WiFi LED will start flashing). Once the connection is established, follow the on-screen instructions to configure your humidifier.

Warnings and Remedies

Code	Warning		Description		
	LED unit	Indication App	Possible causes	Remedy	
W1	 lights yellow	W1	Overcurrent detected. The measured heating current is greater than 115% (but less than 130%) of the permissible maximum current over a certain period of time. The heating circuit is deactivated. After a set time, the Condair RH will restart and return to normal operation.		
			Humidity demand dropped too quickly.		Automatic adjustment of the working point.
			Drain valve defective.		Check/replace drain valve.
			Drain obstructed in the steam cylinder.		Replace steam cylinder.
			Used cylinder not recognized.		Replace steam cylinder.
			Steam cylinder fills too fast.		Check/replace inlet valve.
W2	 blinks blue	W2	External safety loop open. The Condair RH is stopped. The Condair RH automatically returns to normal operation as soon as the external safety loop is closed, there is no system error and the unit is switched on again via the HumiLife app.		
			Ventilation switched off.		Check/switch on ventilation.
			High limit humidistat or air flow monitor has responded.		Check the setting of the high limit humidistat or the flow monitor.
			Wiring to the high limit humidistat interrupted or incorrectly wired.		Check the wiring of the high limit humidistat.
			High limit humidistat defective.		Check/replace high limit humidistat.
			Wiring to the air flow monitor interrupted or incorrectly wired.		Check the wiring of the air flow monitor.
W3	 lights yellow	W3	No signal from the humidity sensor.		
			Wiring to the humidity sensor interrupted or incorrectly wired.		Check the wiring of the humidity sensor.
			Humidity sensor defective.		Check/replace humidity sensor.
W4	 lights yellow	W4	No signal from the limiter sensor.		
			Wiring to the limiter sensor interrupted or incorrectly wired.		Check the wiring of the limiter sensor.
W5	 lights yellow	W5	The end of service life of the steam cylinder is soon reached. The steam cylinder has to be replaced in the near future.		
			Limiter sensor defective.		Check/replace limiter sensor (humidity sensor in the supply air duct).
W6	 lights red	—	No WiFi signal		
			WiFi signal interrupted.		Disconnect the device from the power supply and reconnect. Reconnect unit.

Errors and Remedies

Code	Error		Description	
	LED unit	Indication App	Possible causes	Remedy
E1	 lights red	E1	Overcurrent detected. The measured heating current is greater than 130% of the permissible maximum current over a certain period of time. The Condair RH is stopped.	
			Humidity demand dropped too quickly	Automatic adjustment of the working point.
			Drain valve defective.	Check/replace drain valve.
			Drain obstructed in the steam cylinder.	Replace steam cylinder.
			Used cylinder not recognized.	Replace steam cylinder.
			Steam cylinder fills too fast.	Check/replace inlet valve.
E2	 lights red	E2	Problem with inlet or drain. No heating current was measured for 30 minutes, although there is a humidity demand present.	
			Water supply interrupted (shut-off valve closed) or obstructed.	Check water supply (open shut-off valve, check water pressure).
			Strainer in the inlet valve clogged or inlet valve defective.	Check/clean the strainer in the inlet valve or replace the valve.
			Drain valve leaking or defective.	Check/clean or replace the drain valve.
			Fuses on the driver board defective.	Check/replace fuses on the driver board.
			Heating cable harness defective.	Check/replace heating cable harness.
			Loss of water in the water system (via fill cup overflow) due to excessive back pressure in the steam line.	Check steam installation: steam line not too long, not kinked, no condensate pocket.
E3	 lights red	E3	No heating current detected. No heating current was detected, although the max. level sensor has been activated.	
			Inlet valve not closing or leaking.	Check whether inlet valve is closing, e.g. in standby mode. Replace valve if required.
			Max. level sensor not working properly.	Check max. level sensor state when cylinder is empty.
			Heating cable harness defective.	Check/replace heating cable harness.
E4	 lights red	E4	Unexpected heating current detected: The control measures a heating current although there is no humidity demand. The Condair RH is stopped.	
			Fuse of the heating circuit on the driver board is defective	Check/replace fuse.
			Driver board defective.	Replace driver board.
E5	 lights red  lights red	E5	End of life of the steam cylinder reached. The steam cylinder must be replaced. The Condair RH is stopped.	
E6	 lights red  lights red	E6	Invalid cylinder installed.	
			Cylinder not installed correctly (contact cylinder fuse bad).	Install cylinder correctly.
			The controller cannot verify the newly installed cylinder.	Contact your Condair representative.

Disclaimer

This Quick Start Guide (the “QSG”) provides basic product and installation overview of the Condaire HumiLife Humidifier (the “HumiLife Humidifier”) and is for general information purposes only. The general installation guidelines contained herein do not purport to cover all details of the HumiLife Humidifier nor do they provide for every contingency met in connection with installation. Please consult the complete Installation Manual and Operation Manual for a more comprehensive installation guide and for general operation, maintenance, and troubleshooting information, including Condaire’s suggested storage, packaging, and transportation guidelines. The Installation Manual and Operation Manual contain specific system, accessories, and components. Copies of the complete Installation Manual and Operation Manual can be found at: www.condair.com/residential . Please read all Cautions and Warnings before installing and using the HumiLife Humidifier.

All electrical connections must be installed in accordance with local and national electrical code requirements by a licensed electrician.

All water supply and drain line connections must be installed in accordance with local plumbing codes by a licensed plumber.

Condaire does not accept any liability for installations of humidity equipment installed by unqualified personnel or the use of parts/components/equipment that are not authorized or approved by Condaire.

Compliance

This equipment has been tested and found to comply with the limits for a Class B digital device, pursuant to part 15 of the FCC Rules. These limits are designed to provide reasonable protection against harmful interference in a residential installation. This equipment generates, uses and can radiate radio frequency energy and, if not installed and used in accordance with the instructions, may cause harmful interference to radio communications. However, there is no guarantee that interference will not occur in a particular installation.

If this equipment does cause harmful interference to radio or television reception, which can be determined by turning the equipment off and on, the user is encouraged to try to correct the interference by one or more of the following measures:

- Reorient or relocate the receiving antenna.
- Increase the separation between the equipment and receiver.
- Connect the equipment into an outlet on a circuit different from that to which the receiver is connected.
- Consult the dealer or an experienced radio/TV technician for help.

Warranty

Condair Inc. and/or Condair Ltd.(hereinafter collectively referred to as THE COMPANY), warrant for a period of five years from the date of purchase by the customer, that THE COMPANY's manufactured and assembled products, not otherwise expressly warranted, are free from defects in material and workmanship. No warranty is made against corrosion, deterioration, or suitability of substituted materials used as a result of compliance with government regulations.

THE COMPANY's obligations and liabilities under this warranty are limited to furnishing replacement parts to the customer, F.O.B. THE COMPANY's factory, providing the defective part(s) is returned freight prepaid by the customer. Parts used for repairs are warranted for the balance of the term of the warranty on the original humidifier or 90 days, whichever is longer.

The warranties set forth herein are in lieu of all other warranties expressed or implied by law. No liability whatsoever shall be attached to THE COMPANY until said products have been paid for in full and then said liability shall be limited to the original purchase price for the product. Any further warranty must be in writing, signed by an officer of THE COMPANY.

THE COMPANY's parts or materials that are considered consumables, including but not limited to: cylinders, filters, nozzles, membranes, media, gaskets, O-rings, etc. are NOT covered by the warranty.

THE COMPANY makes no warranty and assumes no liability unless the equipment is installed in strict accordance with a copy of the catalog and installation manual in effect at the date of purchase and by a contractor approved by THE COMPANY to install such equipment.

THE COMPANY makes no warranty and assumes no liability whatsoever for consequential damage or damage resulting directly from misapplication, incorrect sizing or lack of proper maintenance of the equipment.

THE COMPANY makes no warranty and assumes no liability whatsoever for damage resulting from freezing of the humidifier, supply lines, drain lines, or quality of the water used.

THE COMPANY retains the right to change the design, specification and performance criteria of its products without notice or obligation.

THE COMPANY's limited warranty on accessories, not of the companies manufacture, such as controls, humidistats, pumps, etc. is limited to the warranty of the original equipment manufacturer from date of original shipment of humidifier.