

## Nortec RS

### SPARE PARTS LIST

Subject to change!



#### Proprietary Notice

This document and the information disclosed herein are proprietary data of Condair Ltd. Neither this document nor the information contained herein shall be reproduced, used, or disclosed to others without the written authorization of Condair Ltd., except to the extent required for installation or maintenance of recipient's equipment.

#### Liability Notice

Condair Ltd. does not accept any liability for installations of humidity equipment installed by unqualified personnel or the use of parts/components/equipment that are not authorized or approved by Condair Ltd.

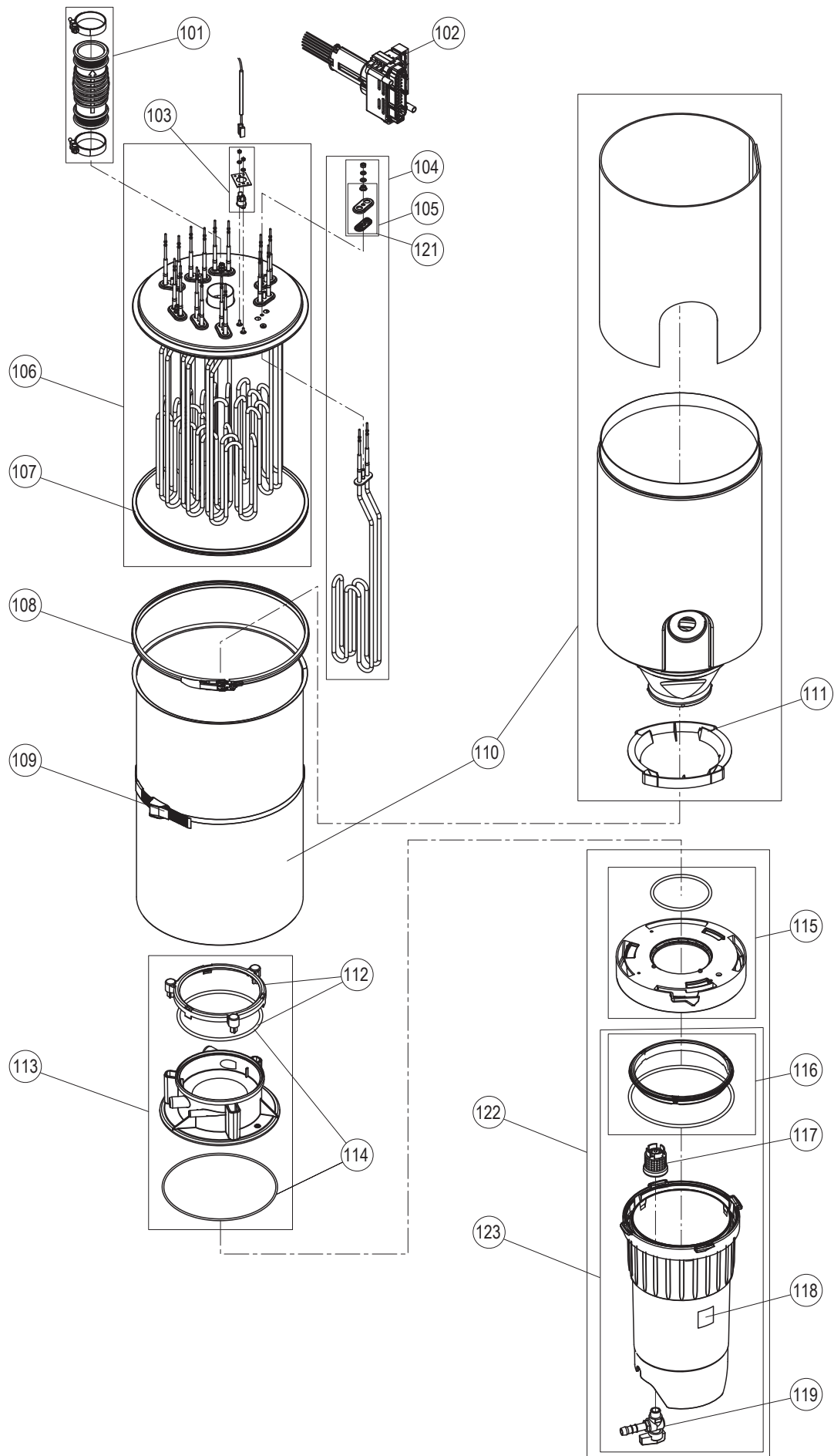
#### Copyright Notice

© Condair Ltd. All rights reserved.

The contents of this document are subject to change without notice.

#### Contents

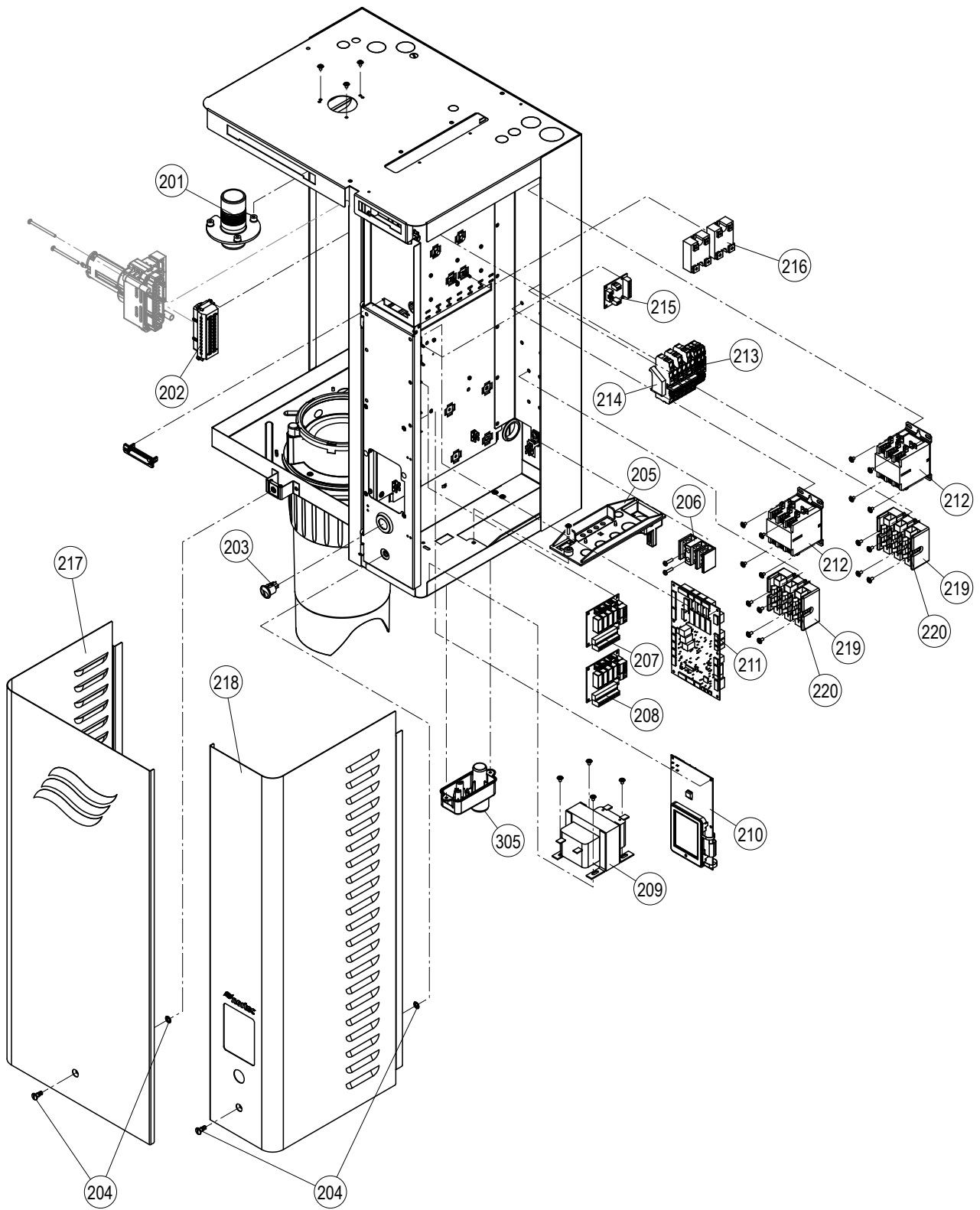
|   |    |
|---|----|
| Steam cylinder parts – Nortec RS 10-20          | 3  |
| Steam cylinder parts – Nortec RS 30-180         | 4  |
| Electrical and housing parts – Nortec RS 10-20  | 7  |
| Electrical and housing parts – Nortec RS 30-180 | 8  |
| Plumbing parts – Nortec RS 10-20                | 10 |
| Plumbing parts – Nortec RS 30-180               | 11 |







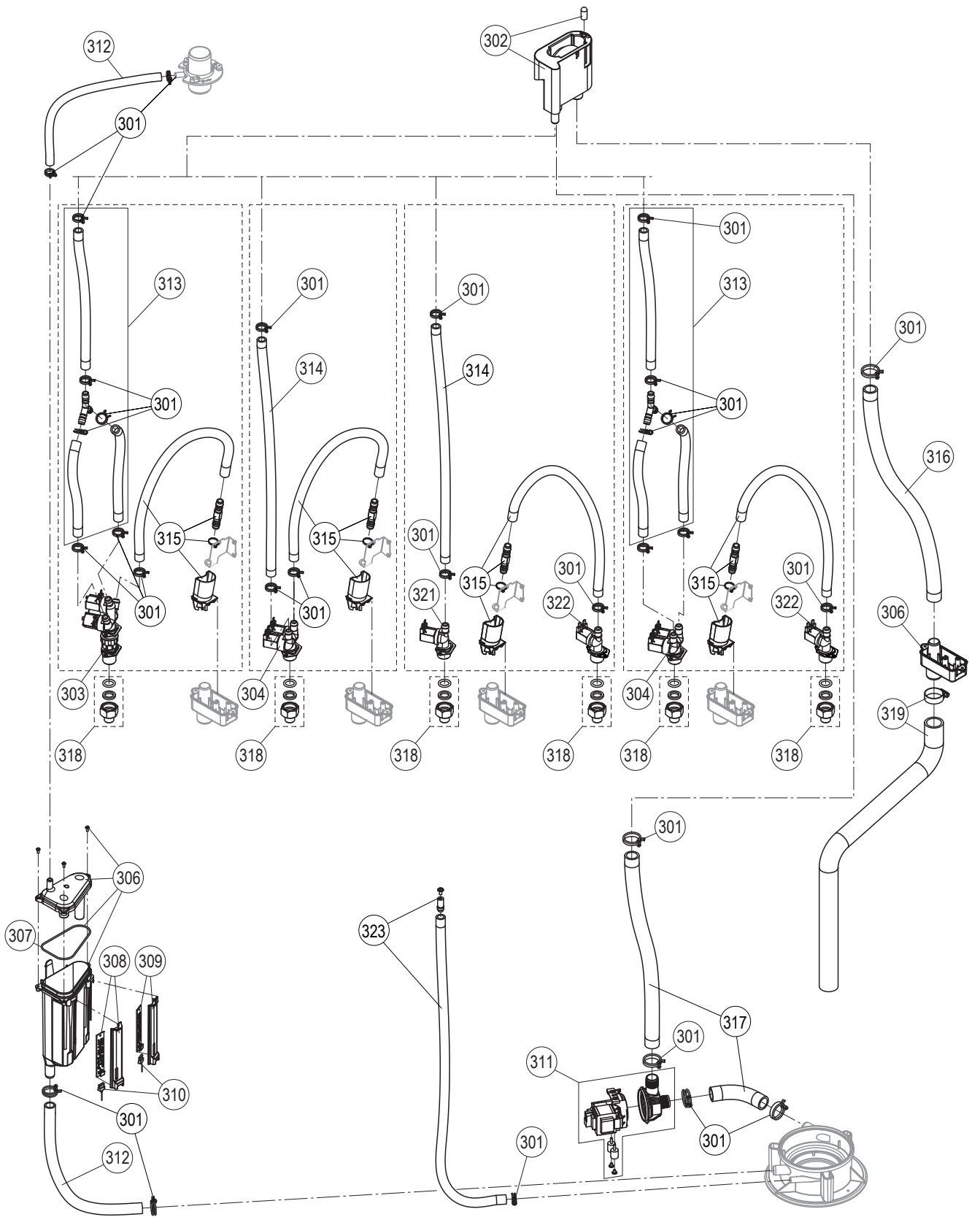
| Housing Size |                                   | MEDIUM            |           |           |           |       |           |           |           |       |           |           |           | LARGE   |           |           |           | Item No. |       |           |           |           |   |   |   |   |   |   |   |   |   |         |
|--------------|-----------------------------------|-------------------|-----------|-----------|-----------|-------|-----------|-----------|-----------|-------|-----------|-----------|-----------|---------|-----------|-----------|-----------|----------|-------|-----------|-----------|-----------|---|---|---|---|---|---|---|---|---|---------|
|              |                                   | 30                |           |           |           |       |           | 45        |           |       |           | 65        |           | 90      |           | 90        |           |          | 130   |           | 180       |           |   |   |   |   |   |   |   |   |   |         |
| Pos          | Item                              | Unit type (lb/hr) |           |           |           |       |           |           |           |       |           |           |           | Voltage |           |           |           | Item No. |       |           |           |           |   |   |   |   |   |   |   |   |   |         |
|              |                                   | 208V1             | 220-240V1 | 440-480V1 | 550-600V1 | 208V3 | 220-240V3 | 440-480V3 | 550-600V3 | 208V3 | 220-240V3 | 440-480V3 | 550-600V3 | 208V3   | 220-240V3 | 440-480V3 | 550-600V3 |          | 208V3 | 220-240V3 | 440-480V3 | 550-600V3 |   |   |   |   |   |   |   |   |   |         |
| 112          | SP Snap Ring for Tank Base        | 1                 | 1         | 1         | 1         | 1     | 1         | 1         | 1         | 1     | 1         | 1         | 1         | 1       | 1         | 1         | 1         | 2        | 2     | 2         | 2         | 2         | 2 | 2 | 2 | 2 | 2 | 2 | 2 | 2 | 2 | 2584883 |
| 113          | SP Tank Base, SC 10-180 lb/hr     | 1                 | 1         | 1         | 1         | 1     | 1         | 1         | 1         | 1     | 1         | 1         | 1         | 1       | 1         | 1         | 1         | 1        | 2     | 2         | 2         | 2         | 2 | 2 | 2 | 2 | 2 | 2 | 2 | 2 | 2 | 2584824 |
|              | SP Tank Base 10- 180 lb/hr        | 1                 | 1         | 1         | 1         | 1     | 1         | 1         | 1         | 1     | 1         | 1         | 1         | 1       | 1         | 1         | 1         | 1        | 2     | 2         | 2         | 2         | 2 | 2 | 2 | 2 | 2 | 2 | 2 | 2 | 2 | 2584826 |
| 114          | SP Tank Base Gasket Kit           | 1                 | 1         | 1         | 1         | 1     | 1         | 1         | 1         | 1     | 1         | 1         | 1         | 1       | 1         | 1         | 1         | 1        | 2     | 2         | 2         | 2         | 2 | 2 | 2 | 2 | 2 | 2 | 2 | 2 | 2 | 2584847 |
| 115          | SP Scale Tank Connection Ring     | 1                 | 1         | 1         | 1         | 1     | 1         | 1         | 1         | 1     | 1         | 1         | 1         | 1       | 1         | 1         | 1         | 1        | 2     | 2         | 2         | 2         | 2 | 2 | 2 | 2 | 2 | 2 | 2 | 2 | 2 | 2599511 |
| 116          | SP SC Tank Snap Ring Sealing Kit  | 1                 | 1         | 1         | 1         | 1     | 1         | 1         | 1         | 1     | 1         | 1         | 1         | 1       | 1         | 1         | 1         | 1        | 2     | 2         | 2         | 2         | 2 | 2 | 2 | 2 | 2 | 2 | 2 | 2 | 2 | 2599512 |
| 117          | SP SC Tank Drain Strainer         | 1                 | 1         | 1         | 1         | 1     | 1         | 1         | 1         | 1     | 1         | 1         | 1         | 1       | 1         | 1         | 1         | 1        | 2     | 2         | 2         | 2         | 2 | 2 | 2 | 2 | 2 | 2 | 2 | 2 | 2 | 2584837 |
| 118          | SP Temp Indicator Scale Tank      | 1                 | 1         | 1         | 1         | 1     | 1         | 1         | 1         | 1     | 1         | 1         | 1         | 1       | 1         | 1         | 1         | 1        | 2     | 2         | 2         | 2         | 2 | 2 | 2 | 2 | 2 | 2 | 2 | 2 | 2 | 2584886 |
| 119          | SP SC Tank Drain Valve Kit        | 1                 | 1         | 1         | 1         | 1     | 1         | 1         | 1         | 1     | 1         | 1         | 1         | 1       | 1         | 1         | 1         | 1        | 2     | 2         | 2         | 2         | 2 | 2 | 2 | 2 | 2 | 2 | 2 | 2 | 2 | 2584838 |
| 121          | SP Tank Lid Plug                  | 2                 | 3         | 2         | 2         |       |           | 3         | 3         | 3     |           |           |           |         |           |           |           |          |       |           |           |           |   |   |   |   |   |   |   |   |   | 2584863 |
| 122          | SP Scale Tank and Connection Ring | 1                 | 1         | 1         | 1         | 1     | 1         | 1         | 1         | 1     | 1         | 1         | 1         | 1       | 1         | 1         | 1         | 1        | 2     | 2         | 2         | 2         | 2 | 2 | 2 | 2 | 2 | 2 | 2 | 2 | 2 | 2599518 |
| 123          | SP Scale Tank Replacement         | 1                 | 1         | 1         | 1         | 1     | 1         | 1         | 1         | 1     | 1         | 1         | 1         | 1       | 1         | 1         | 1         | 1        | 2     | 2         | 2         | 2         | 2 | 2 | 2 | 2 | 2 | 2 | 2 | 2 | 2 | 2599513 |

















## **Warranty**

Condair Inc. and/or Condair Ltd. (hereinafter collectively referred to as THE COMPANY), warrant for a period of two years after installation or 30 months from manufacturer's ship date, whichever date is earlier, that THE COMPANY's manufactured and assembled products, not otherwise expressly warranted, are free from defects in material and workmanship. No warranty is made against corrosion, deterioration, or suitability of substituted materials used as a result of compliance with government regulations.

THE COMPANY's obligations and liabilities under this warranty are limited to furnishing replacement parts to the customer, F.O.B. THE COMPANY's factory, providing the defective part(s) is returned freight prepaid by the customer. Parts used for repairs are warranted for the balance of the term of the warranty on the original humidifier or 90 days, whichever is longer.

The warranties set forth herein are in lieu of all other warranties expressed or implied by law. No liability whatsoever shall be attached to THE COMPANY until said products have been paid for in full and then said liability shall be limited to the original purchase price for the product. Any further warranty must be in writing, signed by an officer of THE COMPANY.

THE COMPANY's parts or materials that are considered consumables, including but not limited to: cylinders, filters, nozzles, membranes, media, gaskets, O-rings, etc. are NOT covered by the warranty.

THE COMPANY makes no warranty and assumes no liability unless the equipment is installed in strict accordance with a copy of the catalog and installation manual in effect at the date of purchase and by a contractor approved by THE COMPANY to install such equipment.

THE COMPANY makes no warranty and assumes no liability whatsoever for consequential damage or damage resulting directly from misapplication, incorrect sizing or lack of proper maintenance of the equipment.

THE COMPANY makes no warranty and assumes no liability whatsoever for damage resulting from freezing of the humidifier, supply lines, drain lines, or quality of the water used.

THE COMPANY retains the right to change the design, specification and performance criteria of its products without notice or obligation.

THE COMPANY's limited warranty on accessories, not of the companies manufacture, such as controls, humidistats, pumps, etc. is limited to the warranty of the original equipment manufacturer from date of original shipment of humidifier.

## **Extended Warranty**

Extended warranties are available to purchase under the conditions listed above.

CONSULTING, SALES AND SERVICE:

U.S.A.  
835 Commerce Park Drive,  
Ogdensburg, NY 1366-2209

CANADA  
2740 Fenton Road  
Ottawa, ON, K1T 3T7

el: 1.866.667.8321  
Fax: 613.822.7964

Email: [na.info@condair.com](mailto:na.info@condair.com)  
Website: [www.condair.com](http://www.condair.com)

