

Instruction, Spare Parts, US BP

2588752 2588757
 2588753 2588758
 2588754 2588756
 2588755 2588764



Part No.	Description	Kit Contains:
2588752	SP, Fan 1, BP, US Humidifier	Fan 1, left-turn (qty. 1) Screw, 3.5 mm (qty. 10)
2588753	SP, Fan 2, BP, US Humidifier	Fan 2, right-turn (qty. 1) Screw, 3.5 mm (qty. 10)
2588754	SP, Fan Assembly, BP, US Humidifier	Fan assembly (qty. 1) Screw, 3.5 mm (qty. 4) Screw, M4x10 (qty. 2)
2588755	SP, Mist Channel, BP, UB-20	Mist channel assembly (qty. 1) Screw, M4x10 (qty. 2)
2588756	SP, Pressurized Box, BP, US Humidifier	Pressurized box (qty. 1) Screw, M4x10 (qty. 4)
2588757	SP, Mist Channel, BP, UB-13	Mist channel assembly (qty. 1) Screw, M4x10 (qty. 2)
2588758	SP, Mist Channel, BP, UB-07	Mist channel assembly (qty. 1) Screw, M4x10 (qty. 2)
2588764	SP, Filter Set, BP, US Humidifier	Frame, filter (qty. 2) Frame, filter, side (qty. 2) Foam, filter (qty. 4) Plunger, snap latch (qty. 2) Grommet, snap latch (qty. 2)

Safety Precautions

- The installation must only be performed by qualified personnel who are familiar with the unit. It is the owner's responsibility to verify proper qualification of the personnel.
- Only use the supplied hardware in the installation kit.
- Observe all safety precautions described in the Ultrasonic Blower Pack and Ultrasonic Humidifier manuals.

IMPORTANT! Ensure that unit is cleaned (and disinfected) before installation. Refer to "[Cleaning](#)" in the Ultrasonic Blower Pack Manual.

Note: The procedures in this document provide you with instructions for the installation and removal of spare parts for the Ultrasonic Blower Pack. For mounting and installing electrical connections, please refer to the Installation, Operation, and Maintenance Manual for the Ultrasonic Blower Pack.



DANGER!
Risk of electric shock!

The unit is electrically powered by the humidifier. Using the On/Off switch on the humidifier to shut down the unit will NOT shut off power to the control cabinet. Live parts may be exposed when the access panels or doors are removed. Touching live parts may cause severe injury or even death.

Prevention: The unit must be connected to the humidifier only after all mounting and installation work has been completed and checked for correct workmanship. The humidifier MUST be connected from the mains only after work has been completed on the humidifier or blower pack, and the access panels/doors are closed and fastened securely.

Only qualified personnel should perform maintenance or repairs on the unit.

Follow any lockout procedures when servicing the unit.



WARNING!
Risk to Hygiene and Health!

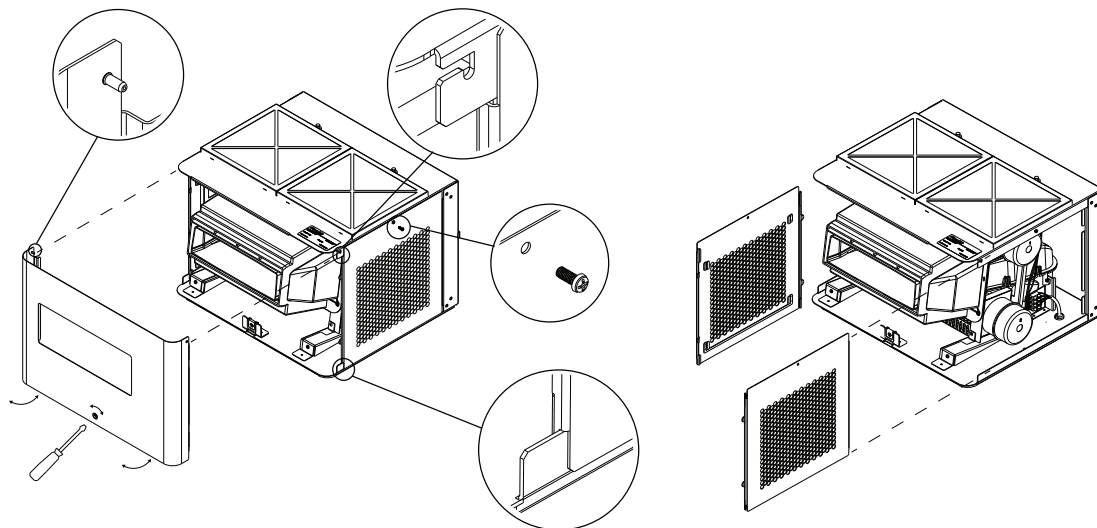
The Ultrasonic Humidifier is NOT suitable for use in healthcare premises; or in general, locations where articles, materials, or entities must remain sterile and free of dust.

The Ultrasonic Blower Pack presents the risk of spreading pathogens (such as bacteria, viruses, and parasites) originating from contaminated water, air, and equipment. Failure to reduce the risks increases the likelihood of causing injuries (requiring medical care), infection, and death.

Prevention: Use, regularly clean, and replace the air and water inlet filters. Regularly clean air ducts. Regularly flush and disinfect the humidifier, the blower pack, and their components (tanks, pipes, reservoirs, etc.). Use potable, treated water (potable, R.O., or D.I.).

Follow regular maintenance routines as described in "[Maintenance List](#)" of the Ultrasonic Blower Pack Installation, Operation, and Maintenance manual. Follow local regulations.

Removing and Installing the Front and Side Panels



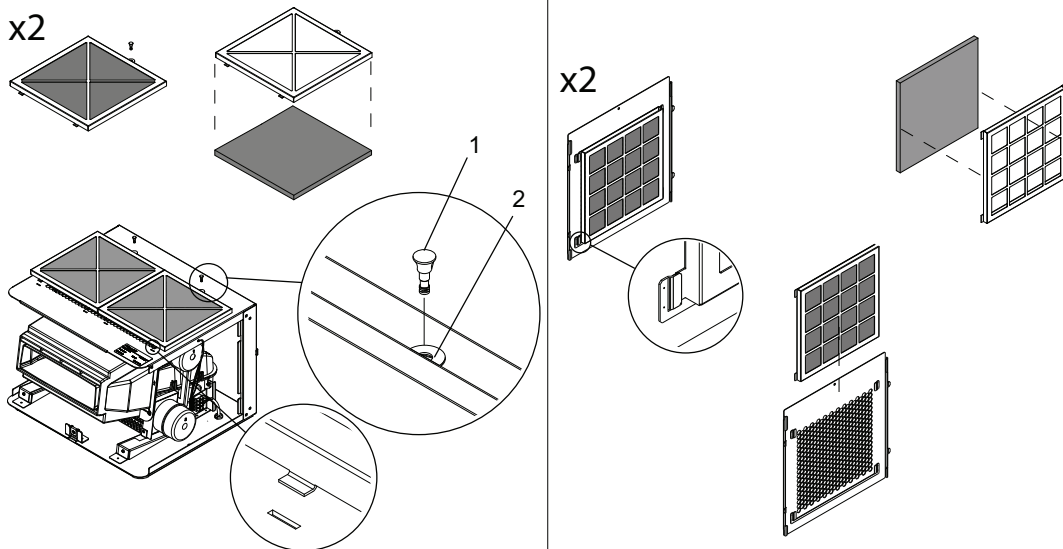
Removal

1. Remove the front cover
 - a. Unlock the front panel by twisting the screw at the front of the unit.
 - b. Slightly pivot the bottom of the front panel around the panel's top pins, then lift and pull away the panel.
2. Remove the side panels
(requires removing the front cover)
 - a. Remove the M4x10 screws on the side of the unit.
 - b. Pull out the side panel. Slide the panels from the front of the unit.

Installation

1. (Optional) Insert the side filters.
2. Install the side panels. Ensure that the panels slide over the flanges on the side of the cabinet.
3. Secure each side panel with a M4x10 screw.
4. Install the front panel and lock the panel by turning the front screw.

Removing and Installing the Filters



1. Plunger

2. Grommet

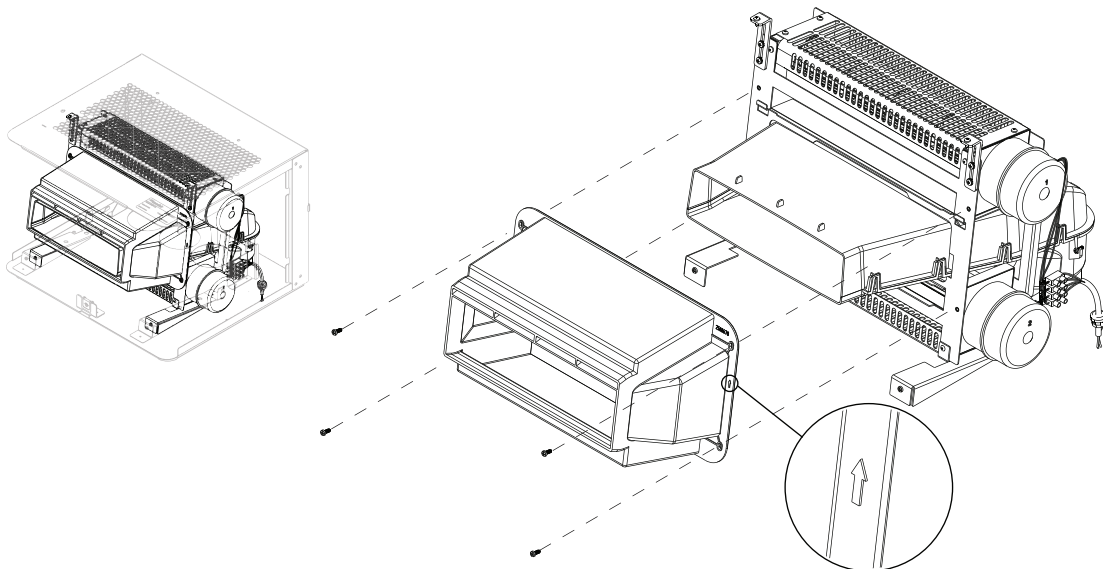
Removal

1. Remove the side filters (panels must be removed) by lifting out the frame from the side panel. The filter and the frame can now be separated.
2. Remove the top filters by pulling out the snap latch plunger. Tilt then lift the frames from the cabinet. The filter and the frame can now be separated.

Installation (requires side panels removed from the cabinet)

1. Insert the filters into the side and top filter frames.
2. Slide the side frames into the side panels of the cabinet.
3. Place the top frame onto the top of the cabinet. Ensure that the flanges on the frame are inserted into the slits on the top cabinet. Install the grommet into the top frame and cabinet, and insert the plunger.

Removing and Installing the Pressurized Box



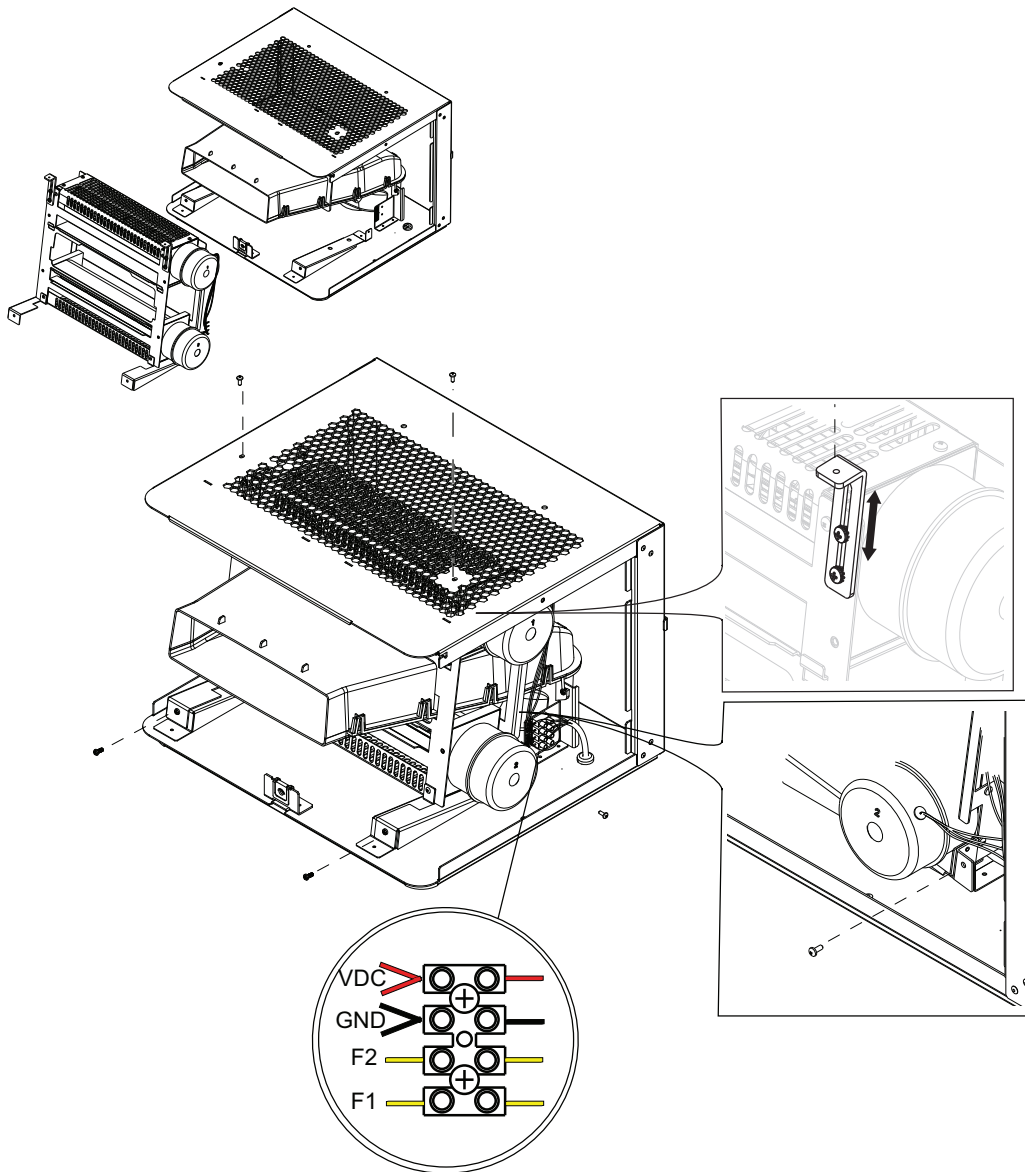
Removal

1. Unscrew the four M4x10 screws securing the pressurized box to the front frame of the fan assembly. Carefully pull out the pressurized box.

Installation (requires installed fan assembly)

1. Place the pressurized box against the front frame of the fan assembly, with the **arrows on the box pointing upwards**. Ensure the mist channel is inserted through the pressurized box.
2. Secure the pressurized box with four M4x10 screws.

Removing and Installing the Fan Assembly



Removal (requires removal of top filters and pressurized box)

1. Remove the two 3.5 mm screws on the top of the unit, holding the top bracket to the cabinet, then loosen the M4x10 screws on the top bracket of the fan assembly so that the top bracket can slide vertically.
2. Remove two 3.5 mm screws on each side bracket, behind the bottom fan.
3. Remove the two M4x10 screws on the sloping brackets on the base of the cabinet.
4. Disconnect the fan wires on the terminal strip.
5. Slide the fan assembly out of the cabinet.

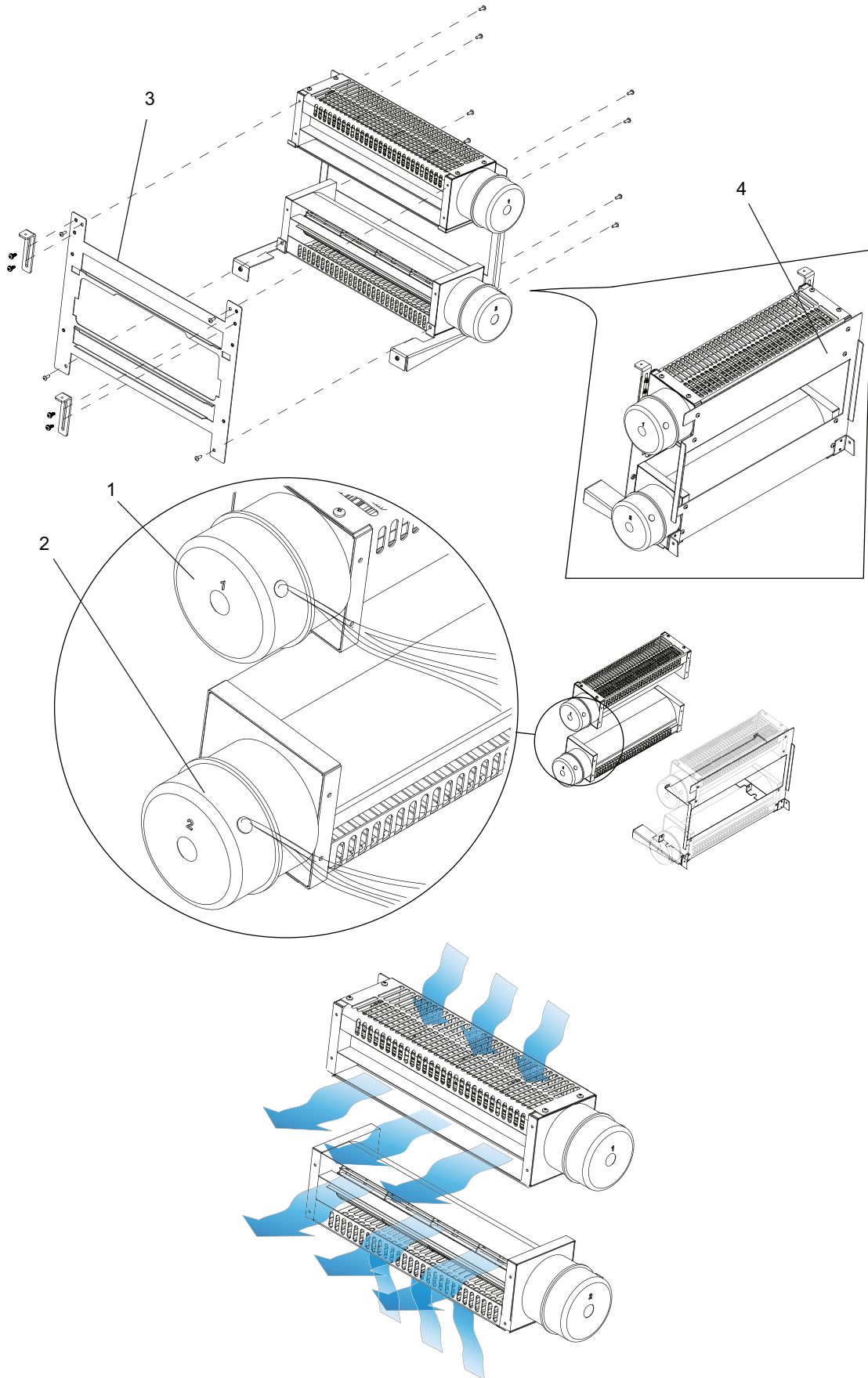
Wiring

Red	VDC fan 1 VDC fan 2	to + on UHBC-10 (blower control)
Black	GND fan 1 GND fan 2	to GND on UHBC-10 (blower control)
Yellow	Security fan 1	to T on UHBC-10 (blower control)
Yellow	Security fan 2	to T1 on UHBC-10 (blower control)

Installation (requires removal of top filters and pressurized box)

1. Loosen the M4x10 screws on the top bracket of the fan assembly so that the top bracket can slide vertically.
2. Slide the fan assembly into the cabinet, ensuring that the mist channel goes through the two fans, and the bottom two brackets of the fan assembly slide over the brackets on the base of the cabinet.
3. Raise the top brackets of the fan assembly and align them with the holes (not the grill) on top of the cabinet.
 - a. Secure each top bracket with 3.5 mm screws.
 - b. Secure the two top brackets to the front bracket of the fan assembly with four M4x10 screws.
4. Secure the bottom brackets with two M4x10 screws.
5. Secure the side brackets with two 3.5 mm screws.
6. Connect the fan wires to the terminal strip.

Removing and Installing Fan(s)



- 1. Fan 1
- 2. Fan 2

- 3. Front bracket
- 4. Rear bracket

Removal

1. Once the fan assembly has been removed from the cabinet, remove the front and back brackets.
2. To remove the front bracket:
 - a. Unscrew the four 3.5 mm screws from the front bracket that secure the fans (the top brace may also be removed for ease by removing the M4x10 screws).
 - b. Pull the front bracket away.
3. To remove the fans:
 - a. Unscrew the eight 3.5 mm screws from the rear bracket.
 - b. Lift the fans from the flanges on the rear bracket, and pull the fans out from the front of the unit.

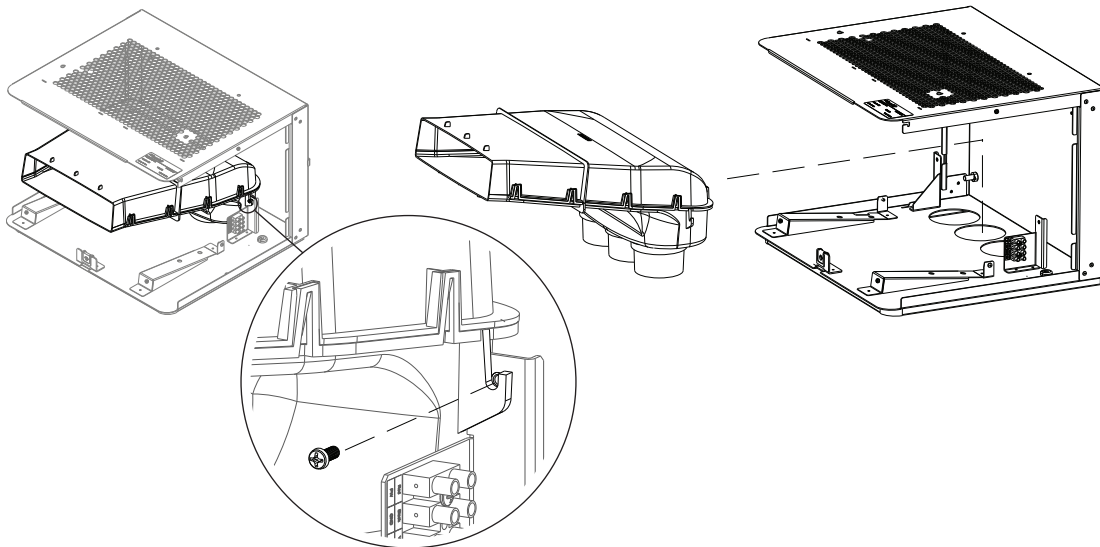
Installation

1. Once the fan assembly has been removed from the cabinet, and the front and rear brackets are removed, the fans may be replaced.

Note: The ten 3.5 mm screws must be removed from each fan so that the fan can be installed onto the front and rear brackets of the assembly.
2. Install the grills on fans 1 and 2 using eight 3.5 mm screws (four for each fan). The grills should face the direction of inward air flow.
3. Place fan 1 (left-turning) onto the top flange of the rear bracket, grill facing up. Place fan 2 (right-turning) on the bottom flange of the rear bracket, grill facing down.

Note: Orient the fans such that the wires can easily connect to the terminal block when the fan assembly is installed. See the previous figure.
4. Secure each fan to the rear bracket with eight 3.5 mm screws (four for each fan).
5. Secure the front bracket over the fans with four 3.5 mm screws (two for each fan, closest to the grills). Ensure that the top flange of the rear bracket go through the openings along the edge of the front bracket.
6. Loosely secure the top brackets to the top of the front bracket with two M4x10 ext-tooth screws.

Removing and Installing the Mist Channel



Removal

1. Unclamp the flexible hoses from the tubes of the mist channel. If the unit is mounted directly onto the humidifier, this must be done from inside the humidifier.
2. Remove the two M4x10 screws securing the mist channel to the cabinet. These screws are located on the support bracket on both sides of the mist channel.
3. Lift the mist channel out of the holes at the bottom of the cabinet and pull out the mist channel.

Installation

1. Place the mist channel into the cabinet of the Ultrasonic Blower Pack and tilt the base of the mist channel into the holes at the bottom of the cabinet.
2. Secure the mist channel to the support bracket using two M4x10 screws. The support brackets are located towards the rear of the cabinet.
3. Clamp the mist channel tubes to the flexible hoses of the humidifier. If the unit is directly mounted onto the humidifier, this must be done from inside the humidifier.