

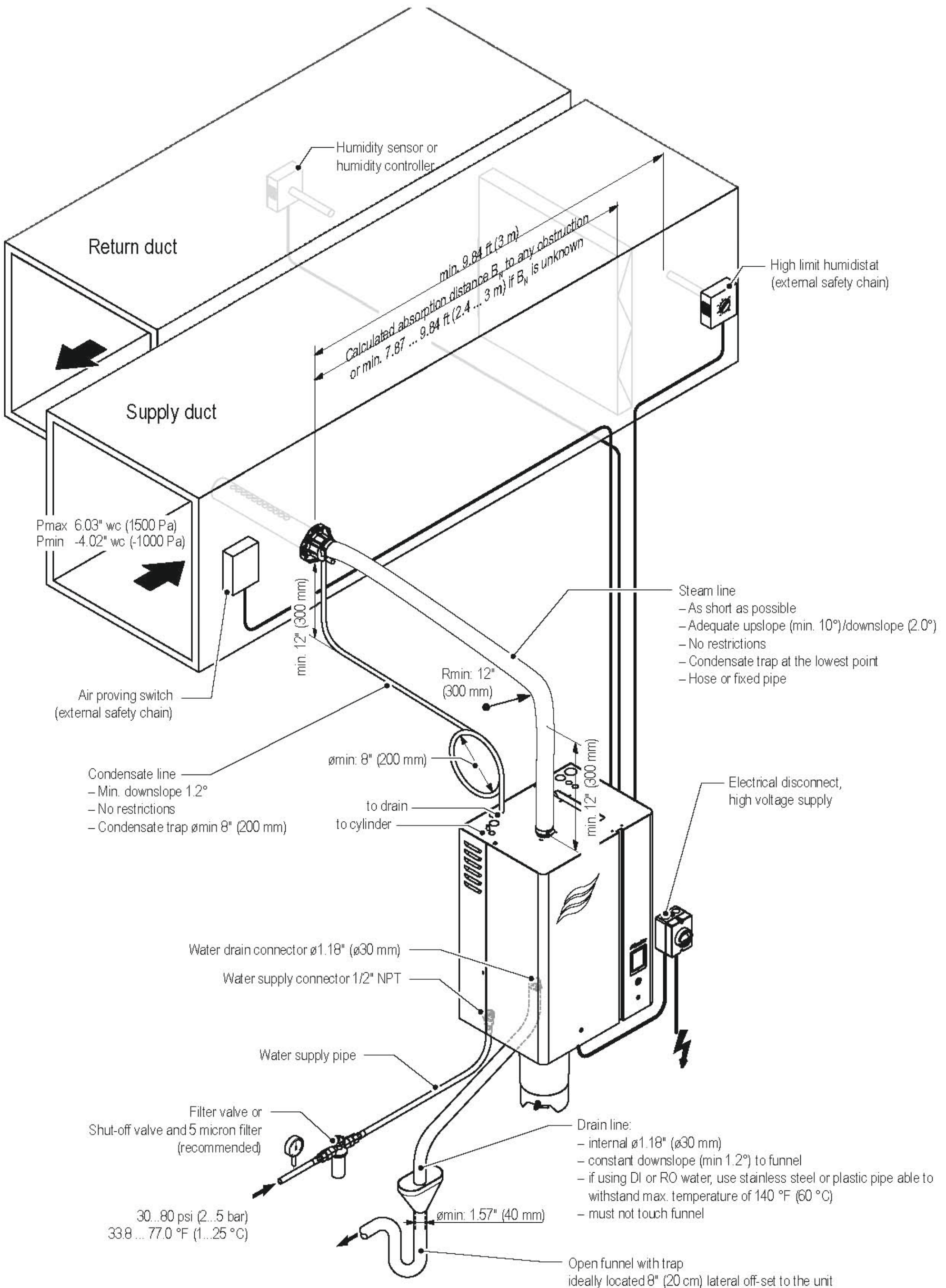


# QUICK START INSTALLATION GUIDE

Steam Humidifier  
Nortec RS

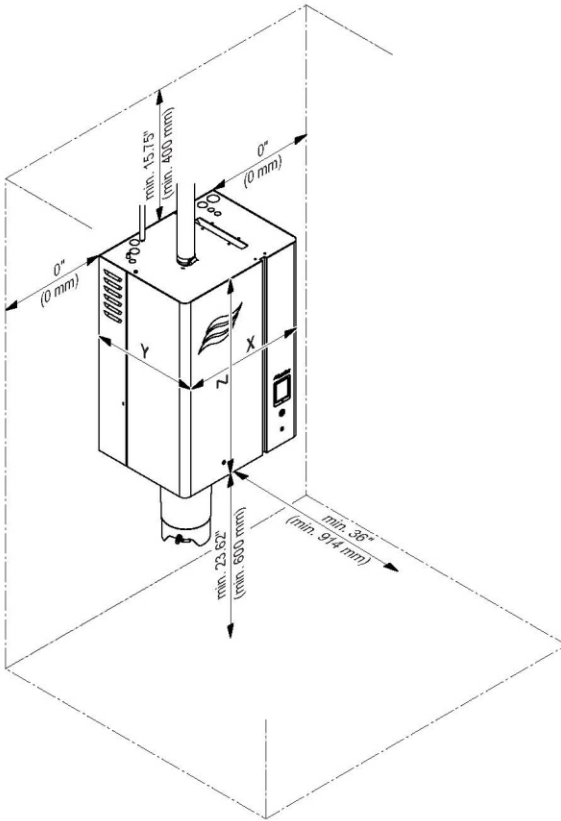


# Installation overview



# Unit Mounting

## Locating the unit



- Install the steam humidifier so that the minimum bend radius  $R=12'' / 300\text{mm}$  for Condair hose,  $R=5 \times$  internal diameter for hard pipes and upslope (min  $10^\circ$ ) / downslope (min  $2^\circ$ ) of the steam hose is maintained.

- Use  $1/4 \times 2''$  lag bolts and washers to mount the humidifier onto wooden studs (or equivalent).

The back panel of the Nortec RS is retaining heat during operation (max. surface temperature of the metal housing approx.  $140 - 160^\circ\text{F} / 60 - 70^\circ\text{C}$ ). Make sure, therefore, that the construction (wall, pillar, etc.) to which the unit is to be mounted, does not consist of heat-sensitive material.

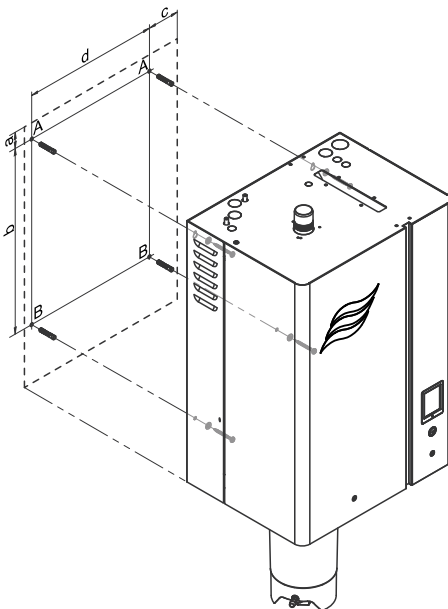
- Install the steam humidifier in such a manner that it is freely accessible with sufficient space available for maintenance purposes. The minimum distances shown in the adjacent illustration must be maintained.

- The Nortec RS is protected according to IP21. As a safeguard, the humidifier should be installed in a drip-proof location. Admissible ambient conditions must be complied with.

- Do not mount the steam humidifier to hot or very cold walls or near vibrating components.

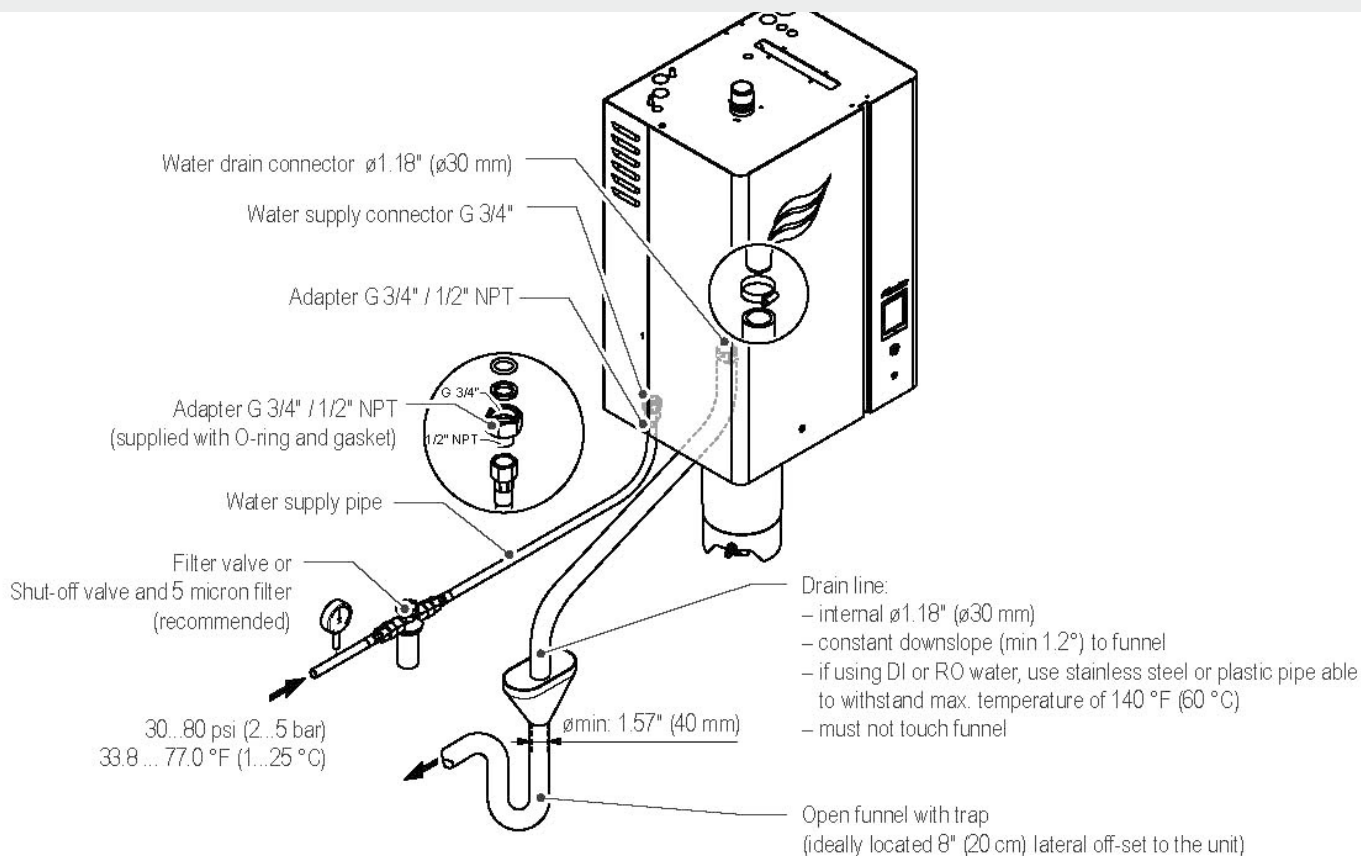
Housing		Small	Medium	Large
Housing dimensions in inch (mm)	X	16.5" (420)	20.9" (530)	29.4" (1000)
	Y	14.6" (370)	16" (406)	16" (406)
	Z	26.4" (670)	30.7" (780)	30.7" (780)
Net weight in lb (kg)		60 (27.2)	89 (40.3)	179 (81.0)
Operating weight in lb (kg)		89 (40.2)	145 (65.8)	291 (132.0)

## Mounting the unit



1. Mark the attachment points "A" and "B" at the desired position in the mounting surface with the help of a level.
2. Install  $1/4 \times 2$  in lag bolts and washers at attachment points "A". Allow the heads of the bolts to extend  $1/4$  in (5 mm) from the mounting surface so that the humidifier can be hung on the bolts.
3. Unlock the screws on the front panels of the unit, and remove the front panels.
4. Carefully raise the unit and hang it on the installed lag bolts.
5. Install additional  $1/4 \times 2$  in lag bolts and washers through the rear panel of the humidifier into the mounting surface at attachment points "B".
6. Align the unit with the help of a level, then tighten the lag bolts.
7. Install the front panels and fasten them securely.

# Water Installation



## Water supply

The water supply is to be carried out according to the figure above and the applicable local regulations for water installation.

The indicated connection specifications must be observed.

- Admissible supply water temperature 33.8 to 77.0°F (1 to 25°C).
- Admissible mains pressure 30 to 80 (hammer-free system).

Notes on water quality:

For the water supply of the Nortec RS, use exclusively untreated drinking water, water from RO system or de-ionized water.

– The use of additives such as corrosion inhibitors, disinfectants, etc. is not allowed, since these additives may endanger health and affect proper operation.

– Conductivity should be between 1 and 1500  $\mu\text{S}/\text{cm}$ . Note that conductivity less than 1  $\mu\text{S}/\text{cm}$  is very aggressive water (this is equivalent to a resistivity of 1 M $\Omega$  or greater). It is recommended to blend such water with other less-treated water to ensure the supply is not overly aggressive.

– Hardness should be between 0 and 12 grains/gallon.

– Silica content should be between 0 and 12 ppm.

– pH should be between 6.5 and 7.5.

– Chloride content should be between 0 and 50 ppm.

– The connection material must be pressure-proof and certified for use with the particular supply (drinking water, RO, or DI water).

– Important! Before connecting the water line, the line must be well flushed out.



## CAUTION!

The thread at the humidifier connection is made of plastic. To avoid overtightening the union nut of the water pipe must be tightened by hand only.

## Water drain

The water drain is to be carried out according to the figure found in Section 5.6.1 of the RS Series Installation Manual, 2582419 and the applicable local regulations for water installations. The indicated connection specifications must be observed.

– Make sure that the drain pipe is correctly fixed and easily accessible for inspections and cleaning purposes.

– The draining temperature is maximum 140°F (60°C). Use temperature-resistant materials only!

– Lead drain line down to the funnel with a constant downslope (min. 1.2°).

Note: On units with two steam tanks, each drain line must be led into a separate funnel with trap.

– Attach drain line in such a way, that it cannot slip out of the funnel or bottom out in the funnel.

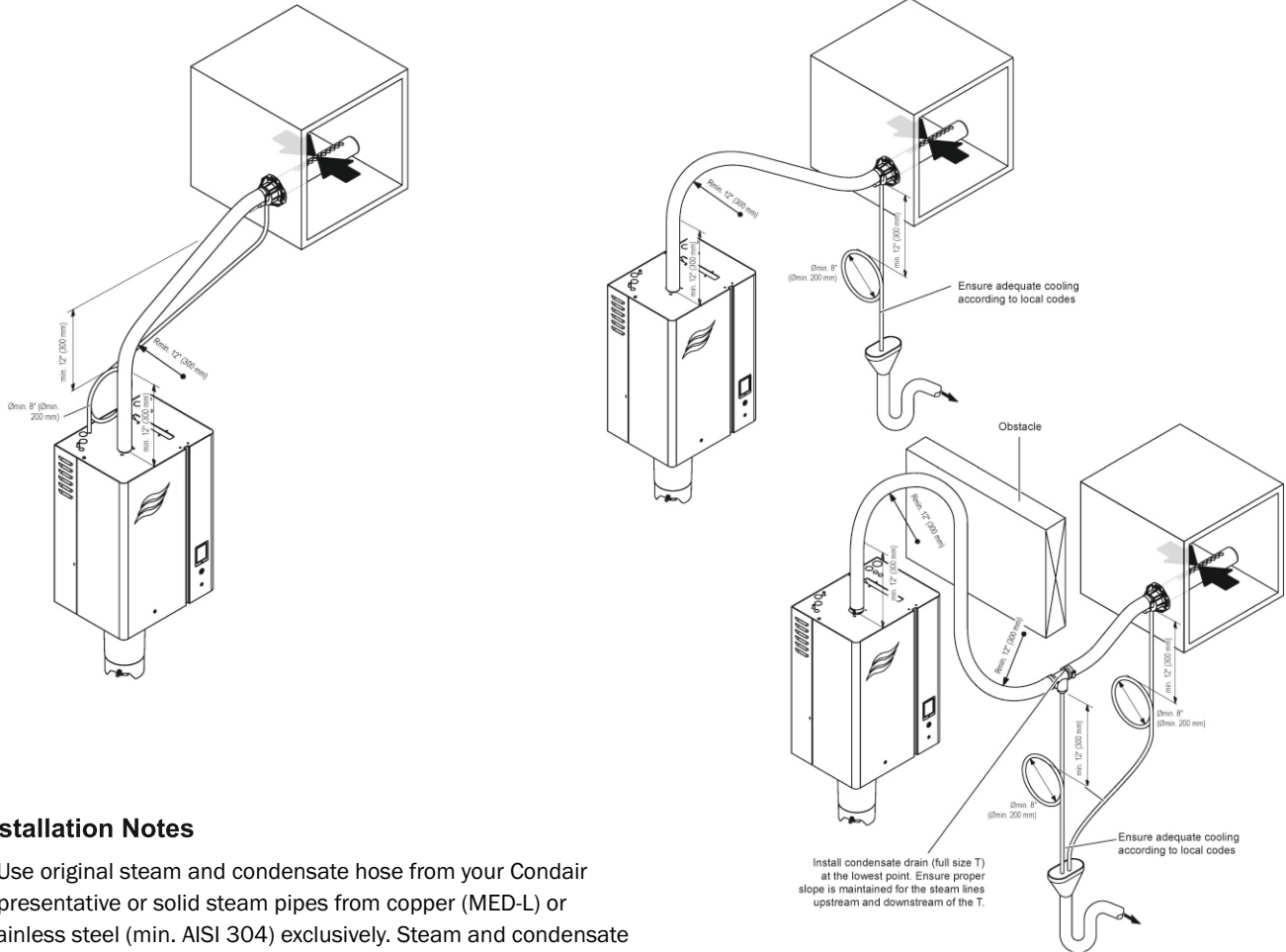
– The open end of the drain line must not touch the funnel (min. air gap 0.79" (2 cm)).

– We recommend to install the funnel with an lateral off-set of 8" (20 cm) to the side of the unit, to prevent damage to humidifier due to rising steam.



# Steam Installation

## Installation examples



## Installation Notes

– Use original steam and condensate hose from your Condaire representative or solid steam pipes from copper (MED-L) or stainless steel (min. AISI 304) exclusively. Steam and condensate lines of other material may cause undesired operational malfunctions. For installations with reverse osmosis or de-ionized water supply, do not use copper steam lines.

– Initially, lead the steam line upright upwards min. 12" (300 mm) above the humidifier. Then lead the steam line with a minimum upslope of 10° or a minimum downslope of 2° to the steam distributor.

– The condensate hose from the steam distributor is led down to the humidifier with a minimum downslope of 1.2°, via a condensate trap (min. hose bend diameter Ø8" (Ø200 mm)) and there it is to be connected to the appropriate connector on top of the unit.

Important! Before putting the unit into operation, the condensate trap of the condensate hose must be filled with water.

– The steam line should be kept as short as possible, as per Table 1 from the Nortec RS Series Installation Manual (2582419). Ensure the the minimum bend radii are observed: 12" (300 mm) for steam hoses or 5x internal diameter for solid pipes.

Important! Allowance must be made for a pressure loss from elbows, according to equivalent length tables.

– Important! When deciding on the length and layout of steam

hoses, it should be noted that steam hoses may become shorter and/or longer depending on temperature and age.

– The steam hose must be secured to the steam distributor and humidifier steam outlet by means of hose clamps. Solid steam pipes should be connected to the steam distributor and steam humidifier with short lengths of steam hose secured with hose clamps. Caution! Do not overtighten the hose clamp on the steam connector of the steam humidifier.

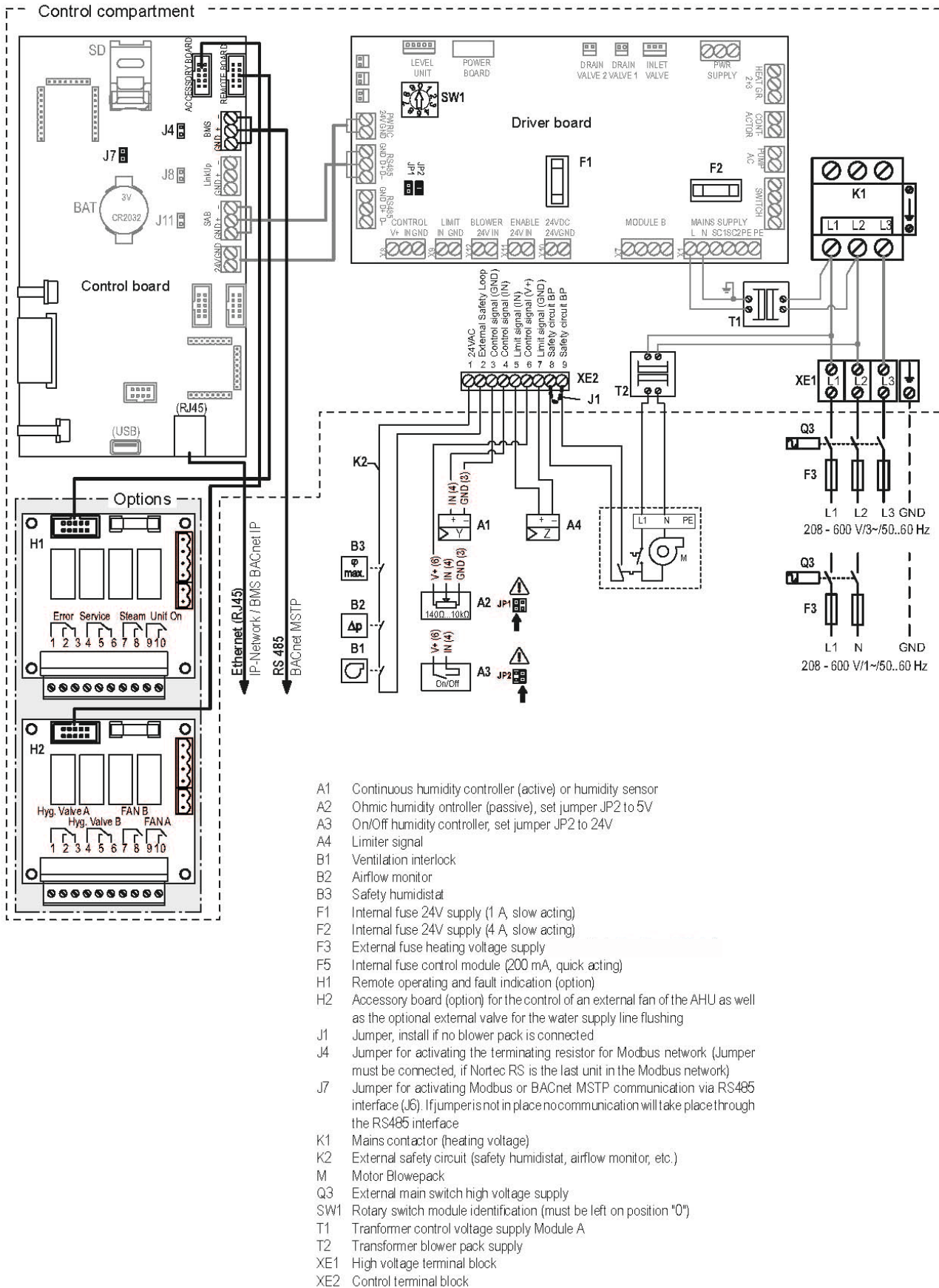
– Steam lines made of solid pipes (copper or stainless steel) must be insulated over the entire length to minimize condensate formation. Condensate created due to thermal loss in steam lines will reduce the operational efficiency of the humidification system and reduce the moisture supply to the conditioned environment.

– Reducing the cross section or the complete closure of the steam line will cause an excessive increase in pressure in the steam cylinder when the unit is operating and could lead to the risk of scalding accidents. All installations must comply with the following instructions.

- Ensure steam line is open (no reduction in cross-section) along the entire length after installation.
- Steam lines must not sag or else condensate may accumulate in low point.
- Valves in the steam line are not permitted.

# Electrical Connection

## Wiring diagram



For wiring diagram of double tank humidifier, refer to Installation Manual (2582419).

All information contained in this Quick Start Installation Guide is for general purposes only. For complete installation recommendations please refer to the installation manual for Nortec RS.

All electrical installations must be carried out in accordance with national and local electrical code requirements by a licensed electrician.

All water installations must be carried out in accordance with national and local plumbing code requirements by a licensed plumber.

Condair Ltd. does not accept any liability for any damage caused by faulty installation or the use of components that are not approved by Condair Ltd.

U.S.A.  
835 Commerce Park Drive  
Ogdensburg NY 13669

CANADA  
2740 Fenton Road  
Ottawa Ontario K1T 3T7

TEL: 1.866.667.8321  
FAX: 613.822.7964

EMAIL: [na.info@condair.com](mailto:na.info@condair.com)  
WEBSITE: [www.condair.com](http://www.condair.com)

