



**Important:**

- The instructions in both this manual and the SE Series Installation manual must be followed for installation and operation of the SE Outdoor Humidifier.
- Read and save these instructions. This guide to be left with equipment.



# **Nortec** **SETC** **Outdoor**

## **Supplemental Installation and Spare Parts Manual**

Includes additional installation information, wiring diagram, and spare parts lists for your outdoor SETC B+ steam exchange humidifier.



## ***Thank you for choosing Condair.***

INSTALLATION DATE (MM/DD/YYYY)

MODEL #

SERIAL #

### **Proprietary Notice**

This document and the information disclosed herein are proprietary data of Condair LTD. Neither this document nor the information contained herein shall be reproduced used, or disclosed to others without the written authorization of Condair LTD., except to the extent required for installation or maintenance of recipient's equipment. All references to the Condair name should be taken as referring to Condair LTD.

### **Liability Notice**

Condair does not accept any liability for installations of humidity equipment installed by unqualified personnel or the use of parts/components/equipment that are not authorized or approved by Condair.

### **Copyright Notice**

Copyright 2018, Condair LTD. All rights reserved.

# Contents

---

## **Note:**

This manual is a supplement to the Nortec SE Series Installation and Operation Manual. It contains only additional information required to install the Nortec SETC Outdoor.

For information on Start Up, Operation, Maintenance and Servicing refer to the Nortec SE Series Installation and Operation Manual

## **1 Introduction**

- 2 Receiving and Unpacking
- 3 Nortec SETC Outdoor  
Specific Components
- 5 Nortec SETC Outdoor Models
- 6 Options and Accessories

## **7 Installation**

- 8 Typical Nortec SETC Outdoor Installation
- 9 Location
- 10 Nortec SETC Outdoor Curb
- 11 Installing on the Curb
- 12 Plumbing
- 13 Freeze Protecting Water Supply
- 14 Boiler Steam and Boiler  
Condensate Return
- 15 Steam Lines and Condensate  
Returns

## **19 Troubleshooting**

- 20 Nortec SETC Outdoor Wiring Diagram

## **21 Spare Parts**

## **28 Warranty**

## Introduction



### **CAUTION: Servicing**

- Disconnect main power before any servicing.
- Shut off pressurized steam supply and ensure steam pressure is safely relieved before any servicing of pressurized steam components.
- The electrical compartment contains high voltage components and wiring. Access should be limited to authorized personnel only.
- During and following operation of the humidifier, the steam and components in contact with the steam such as the tank, blower pack, steam lines, steam distributors, and condensate lines can become hot and can burn if touched.
- Condaire does not accept any liability for installations of humidity equipment installed by unqualified personnel or the use of parts/components/equipment that are not authorized or approved by Condaire.



### **CAUTION: Electrical**

- All electrical work should be done according to local electrical code.
- Electrical connection to be performed by a licensed electrician.



### **CAUTION: Plumbing / Steam Lines**

- Plumbing to be performed by a licensed plumber.
- Pressurized steam line installation to be performed by a qualified installer.
- Drain water from humidifier can be very hot. Do not drain to public sink.
- All plumbing and pressurized steam supply line work should be done according to local plumbing code.



### **CAUTION: Installation**

- **Internal heaters will not keep the Nortec SETC from freezing in cold climates. They are intended to maintain electronics at a minimum operating temperature for cold weather startup.**
- **Keep warm and freeze protection must be installed and configured for climates where there is any risk of temperature falling below 32°F (0°C).**
- The Nortec SETC/P produces steam at atmospheric pressure no devices which could block steam output should be connected to the steam outlet.
- Steam output lines must be installed so that no restriction can produce backpressure in the humidifier.
- Regardless of selecting On/Off or modulating control method, Condaire humidifiers must have a closed circuit across its On/Off security loop control terminal to operate. Condaire highly recommends the use of a high limit humidistat and an air proving switch in series for this function.
- Unit damage caused by water quality outside of the specified ranges is not covered under warranty.

## Receiving and Unpacking

- 1 Check packing slip to ensure ALL material has been delivered.
- 2 All material shortages are to be reported to Condair within 48 hours from receipt of goods. Condair assumes no responsibility for any material shortages beyond this period.

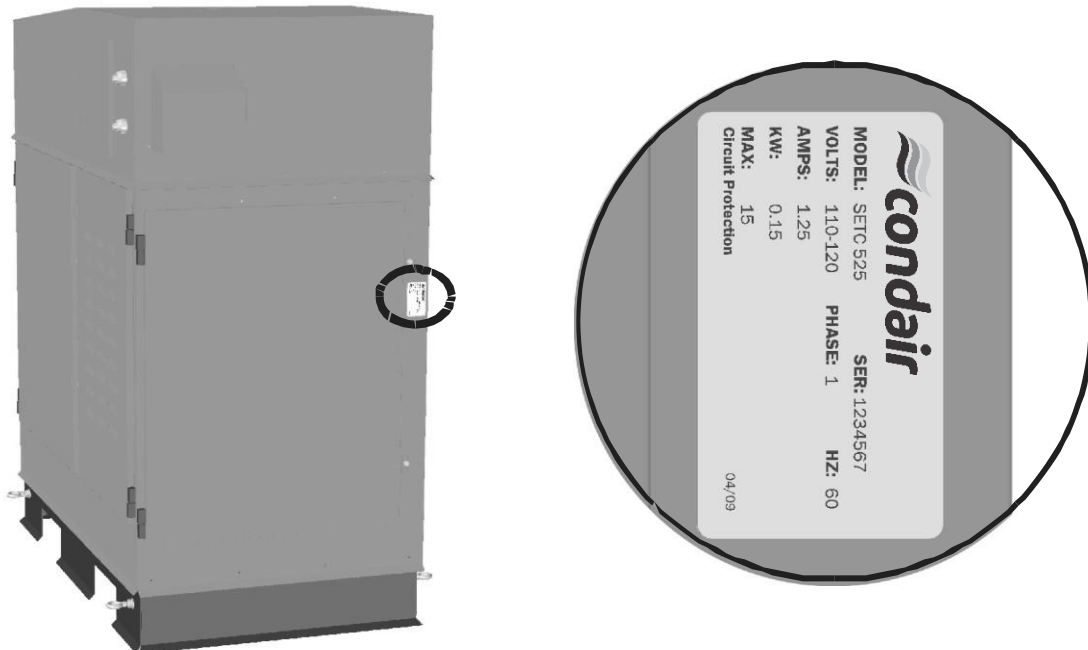


**Note:** A steam valve, actuator, and wye strainer are shipped along with the SETC/P humidifier but in separate small boxes.

- 3 Inspect shipment for damage and note damages on shipping waybill accordingly.
- 4 After unpacking, inspect equipment for damage and if damage is found, notify the shipper promptly.
- 5 All Condair products are shipped on an FOB factory basis. Any and all damage, breakage or loss claims are to be made directly to the shipping company.

## Before Installation

- 1 Ensure that available voltage and phase corresponds with humidifier voltage and phase as indicated on humidifier's specification label.
- 2 If steam supply is from a Medium or High Pressure boiler ensure supply steam line includes a relief valve to prevent supply pressure from exceeding 15 psig.
- 3 Ensure means for returning boiler steam condensate to boiler at atmospheric pressure are available.
- 4 Ensure sufficient clearances will be available as described in Location 9.
- 5 Ensure steam lines can be routed to distributor, Nortec SAM-e manifold, or blower pack as described in Steam Lines and Condensate Returns on page 15.
- 6 Report any discrepancy immediately to the site engineer.



**Figure 1: Nortec SETC Outdoor Specification Label Location**

# Nortec SETC Outdoor Specific Components

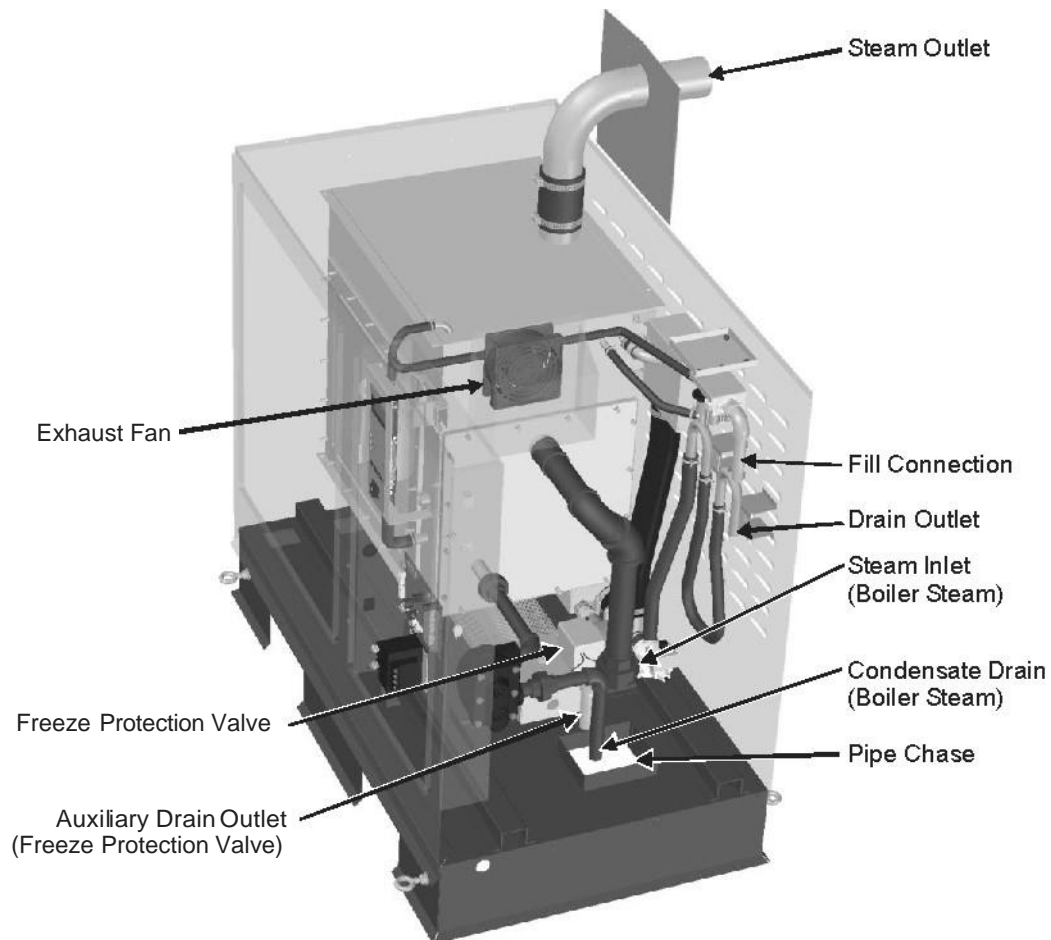
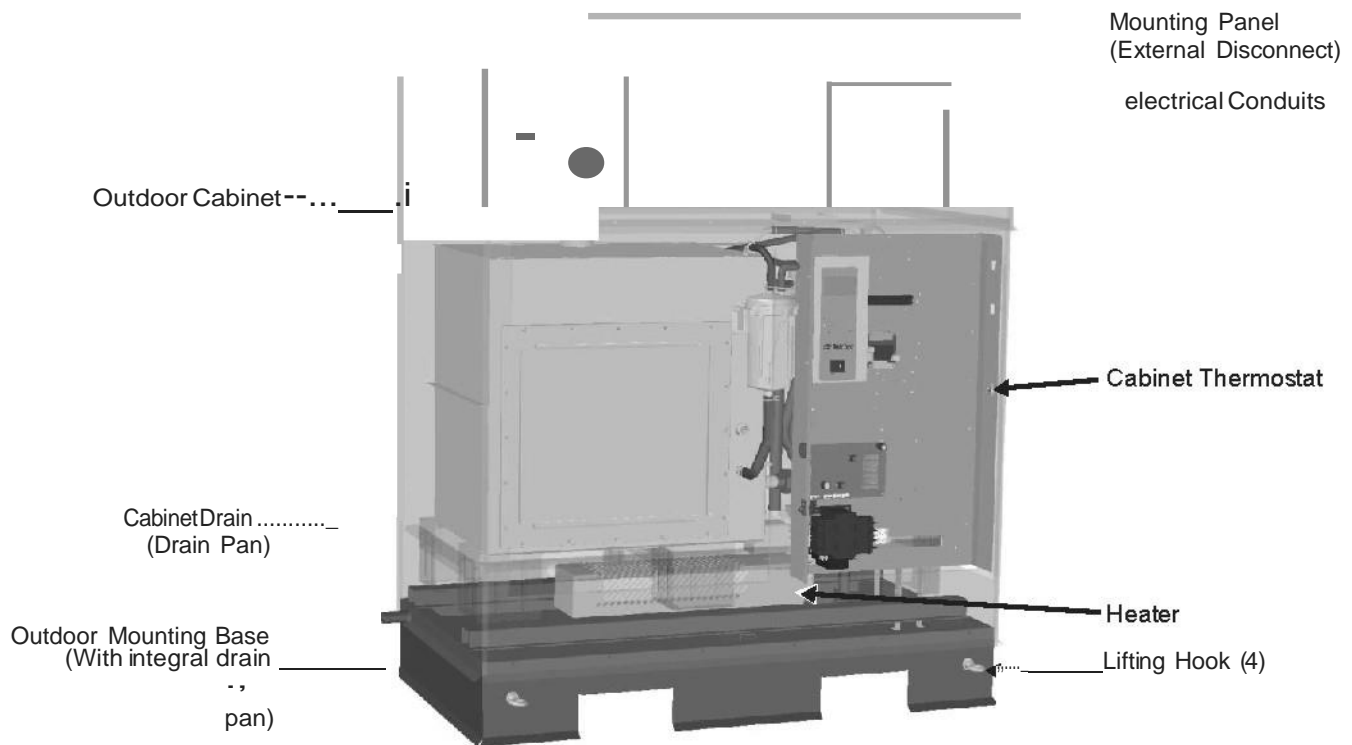


Figure2: Nortec SETC Outdoor Humidifier Components

## Description of Nortec SETC Outdoor Specific Components

**Note:** See Humidifier Components on page 3 of the Nortec SE Series Installation manual for a description of other Nortec SE components.

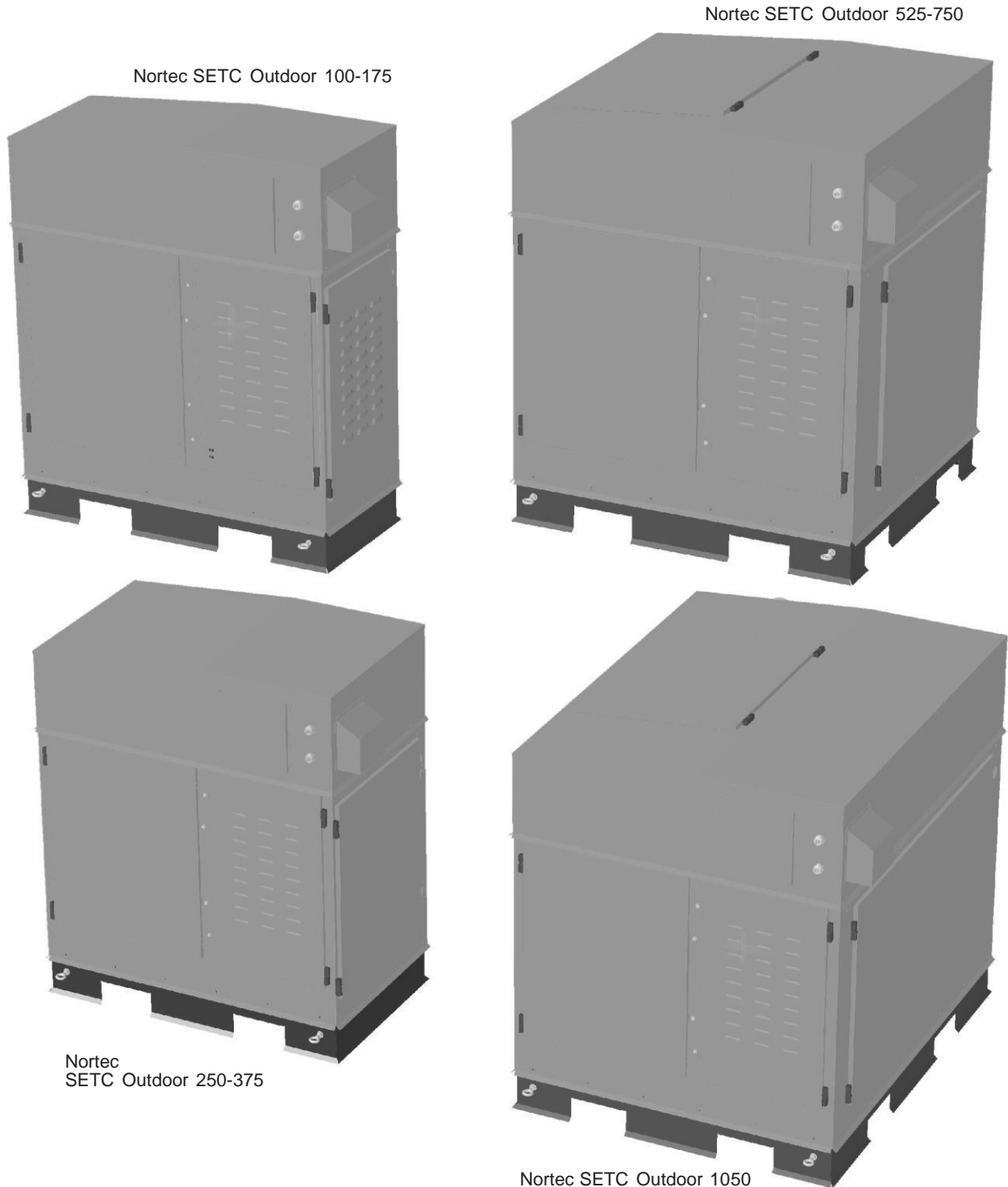


**Table 1: SETC Outdoor Humidifier Components**

<b>Component</b>	<b>Function of Component</b>
<b>Auxiliary Drain Outlet</b>	Drains water from tank in case of pump failure or in case of fault or power failure if freeze protection valve is installed.
<b>Cabinet Drain</b>	Drain outlet for integrated cabinet drain pan (outdoor unit only). Drain to rooftop.
<b>Cabinet Thermostat</b>	Sensor that activates the heaters if the cabinet temperature is too cold for the electronics (will not prevent the tank and water components from freezing).
<b>Condensate Drain</b>	Drains condensate formed from boiler steam in the heat exchanger(s). (routed to pipe chase).
<b>Drain Outlet</b>	Drain port used for draining water from the humidifier tank.
<b>Electrical Conduits</b>	Two sealed conduits which provide a way for bringing electrical power routed up through the pipe chase to an external disconnect.
<b>Exhaust Fan</b>	Cooling fan which is activated if the electrical cabinet gets too hot.
<b>Fill Connection</b>	1/2 in. NPT connection to the humidifier fill valve.
<b>Freeze Protection Valve</b>	A normally open valve part of the freeze protection package. It allows the tank to drain in case of power failure or in case of a fault when humidifier operation cannot keep the humidifier warm enough to prevent freezing.
<b>Heater</b>	Electrical cabinet heater used to keep electronics warm enough for operation and cold weather start up only.
<b>Lifting Hooks</b>	Hooks provided for lifting the humidifier.
<b>Mounting Panel</b>	A panel provided on the outside of the humidifier for mounting a dedicated external disconnect.
<b>Outdoor Cabinet</b>	An enclosure that provides protection from precipitation and allows the Nortec SETC to be installed outdoors.
<b>Outdoor Mounting Base</b>	An integrated support for the humidifier which includes a drain pan (outdoor unit only), a pipe chase, and a means for curb mounting the humidifier.
<b>Pipe Chase</b>	An opening in the outdoor cabinet's drain pan which is used for routing electrical power, controls, boiler steam, boiler condensate, fill water, and drain water through the base of the humidifier.
<b>Steam Inlet</b>	Connection for boiler steam, it is connected to the heat exchangers.
<b>Steam Outlet</b>	Outlet for steam produced by the humidifier. Connect to steam line with steam hose.

## Nortec SETC Outdoor Models

The Nortec SETC Outdoor with its Total Controller and state-of-the-art features and options is the most advanced outdoor steam exchange humidifier available. The Nortec SETC Outdoor is available in capacities ranging from 100 lb/hr (45 kg/hr) to 1050 lb/hr (475 kg/hr). The Nortec SETC Outdoor humidifiers are packaged in four different cabinets depending on their capacity. Figure 3: Nortec SETC/P Models shows the configuration and relative size of the five different cabinets. Table 3 provides specifications for the Nortec SETC/P product line.



**Figure 3: Nortec SETC Outdoor Models**



The Nortec SE 50, 100, 175, 250, and 375 all have a single heat exchanger. The Nortec SE 525 and 750 have two heat exchangers. The Nortec SE 1050 has three heat exchangers. All models have a single pressurized steam inlet and condensate drain with internal manifold connecting separate heat exchangers if they are present.

## Indoor Model

The Nortec SE is available in two indoor models, the Nortec SETC with total controller and a base Nortec SEP model. The Nortec SE Series Installation and Operation Manual provides complete information for installing and operating Nortec SE Series Indoor humidifiers.

## Options and Accessories

Condair provides a complete line of options and accessories for every humidification application. The following options and accessories are available and may have been delivered with your Nortec SETC Outdoor humidifier. Refer to the installation instructions that came with the accessories for their proper installation and operation.

**Table 2: Options and Accessories**

Option / Accessory	Used For
Freeze Protection Package	Emptying the tank in case of fault or power failure to prevent freezing. (Factory installed)
Steam Distributors	Adding steam into air ducts
Remote Blower Pack	Adding steam into a space remote from the humidifier.
SAM-e Steam Distribution Manifold	Adding steam into air ducts where short absorption is required.
Digital or Analog Control Humidistats	Controlling the output of the humidifier based on sensed RH (can be mounted in the space being humidified or in the duct).
Digital RH Transducers	Communicating RH in a space or duct to the humidifier
Digital or Analog High Limit Humidistats	Preventing over humidification in a duct by shutting down or throttling down the humidifier when duct RH gets high.
Air Proving Switches	Insuring humidification only occurs when air is moving in a duct.
Links II (Nortec SETC Only)	Connecting the humidifier to a building management interface. hardware allows control of the humidifier via BACnet, Lonworks, Johnson N2, or Modbus.
Online (Nortec SETC Only)	User and factory monitoring and configuration of the humidifier via the internet.

**Table 3: Nortec SETC Outdoor Specifications**

Model	Part No	Net/Full Weight lb (kg)	Amps	Power	Max. Disconnect A	Voltage and Phase
			A	KW		
100	2550081	267/423	5.4	0.65	15	Voltage 110-120 Phase 1
175	2550082	(121/192)	5.4	0.65	15	
250	2550083	355/599	5.4	0.65	15	
375	2550084	(161/272)	5.4	0.65	15	
525	2550085	529/992	9.6	1.15	15	
750	2550086	(240/450)	9.6	1.15	15	
1050	2550088	703/1384 (318/628)	13.8	1.65	20	

Note: See Table 3: Nortec SETC/P Specifications and Table 4: Nortec SETC/P Capacities and Water Consumption on page 7 of Nortec SE Series Installation manual for remaining specifications

# Installation

---

## **8 Typical Nortec SETC Outdoor Installation**

### **9 Location**

10 Nortec SETC Outdoor Curb

11 Installing on the Curb

### **12 Plumbing**

13 Freeze Protecting Water Supply

### **14 Boiler Steam and Boiler Condensate Return**

### **15 Steam Lines and Condensate Returns**

### **16 Electrical**

### **17 External Controls**

### **17 Optional Outdoor Temperature Reset**

### **17 CV Valve Actuator Wiring**

### **17 Remote Relay Board Wiring**

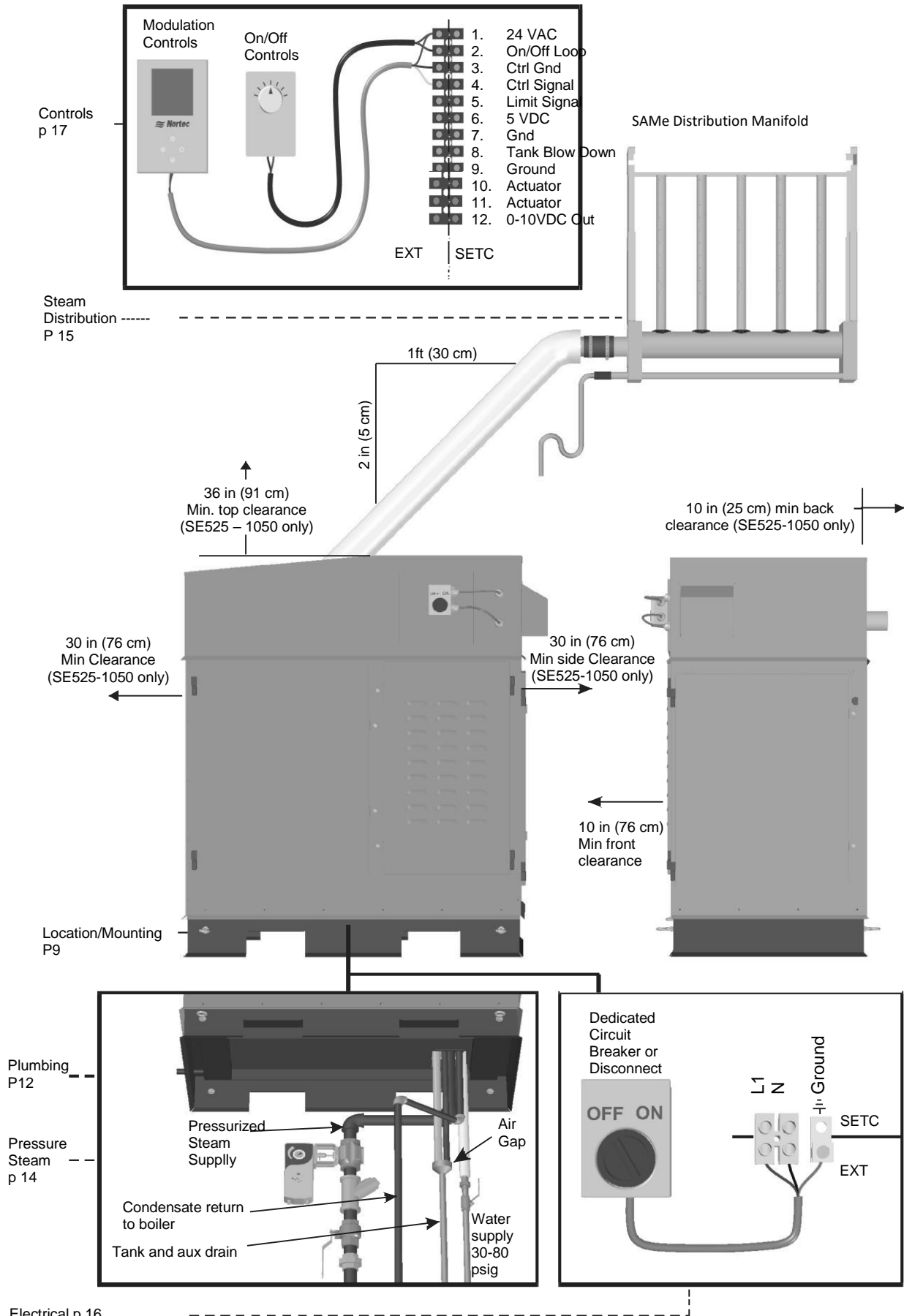
### **17 Staged Modulation Wiring**

### **17 Options and Accessories**

17 Remote Blower Pack

18 Drain Water Cooling (External)

# Typical Nortec SETC Outdoor Installation

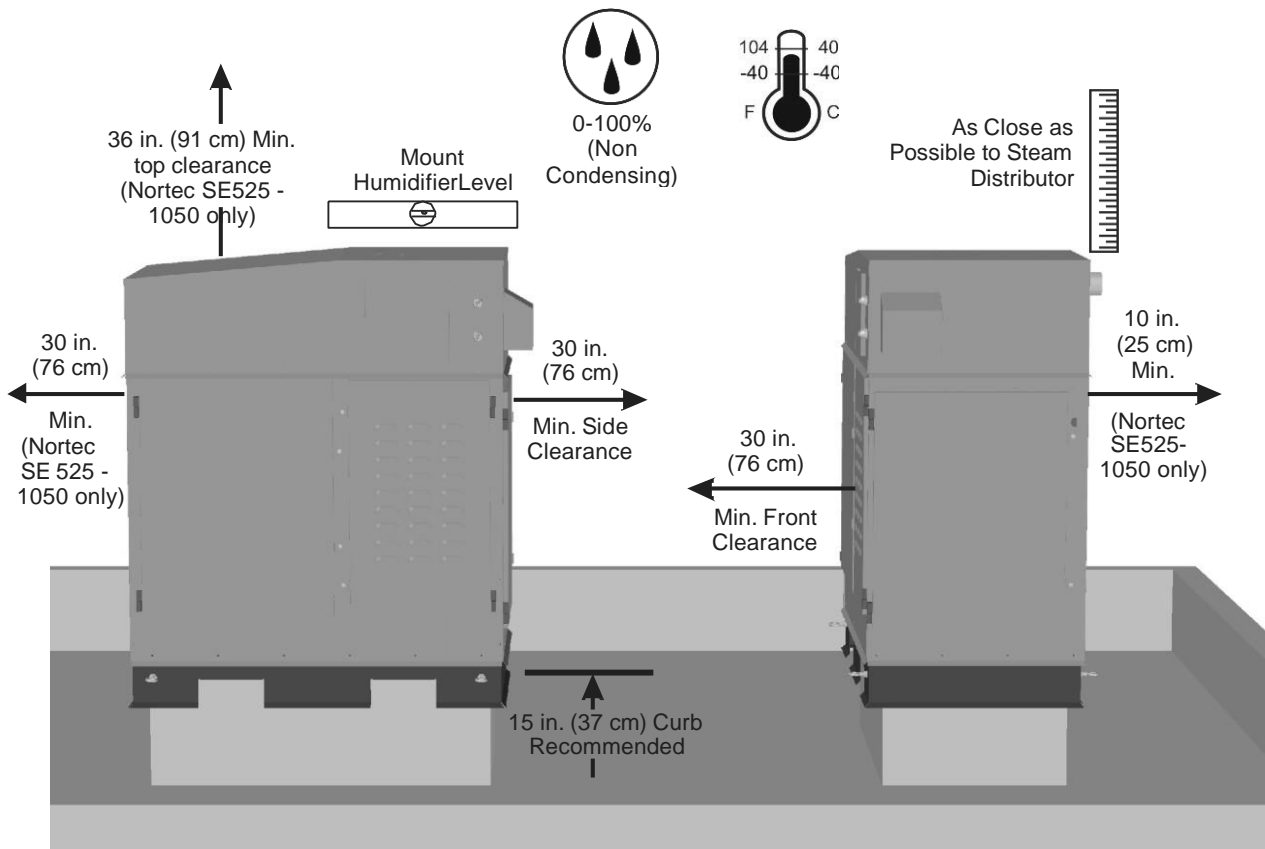


**Figure 4: Typical Humidifier Installation**

## Location

The Nortec SETC Series Outdoor Models are designed to be rooftop mounted on a roof curb (by others). When properly installed the outdoor enclosure will provide protection from rain, wind, and snow in areas with ambient temperature  $-40$  to  $104$  °F ( $-40$  to  $40$  °C) and relative humidity  $0 - 100\%$  (non condensing). All models include a ventilation package to prevent overheating in warm months, and a freeze protection package to prevent freezing in cold months.

- Refer to Figure 5: Installation Location / Clearance for minimum clearance requirements and to Table 3: Nortec SETC Outdoor Specifications for minimum structural requirements. Ensure mounting surface is strong enough to support the full weight of the humidifier and accessories.
- The Nortec SETC Outdoor is designed to be mounted on a roof curb. Use pipe chase in enclosure base for routing of services to the humidifier from below. See Figure 6: Nortec SETC Outdoor Roof Curb and Table 4: Nortec SETC Roof Curb Depth (Dimension A) for roof curb dimensions and pipe chase location..
- Install in location where electrical power, boiler steam, and drain can be connected to the humidifier.
- DO NOT locate the humidifier any further then absolutely necessary from the steam distributor location as net output will be reduced as a result of heat loss through the steam line.
- Clearance dimensions shown are for reference only and are the minimum required for maintenance of the humidifier. Consult local and national codes before final location and installation. Condaire does not accept responsibility for installation code violations.



- Seal building after plumbing to ensure that building pressure remains as intended.
- Avoid installing the humidifier in an area where building exhaust may enter the cabinet through ventilation louvers. A minimum clearance of 10ft (3m) from mechanical exhaust outlets is recommended.
- Install so that ventilation louvers are not obstructed and cannot be blocked by accumulation of ice and snow.

**Caution:** When installing the Nortec SETC Outdoor in conditions where freezing temperatures may occur ensure that freeze protection guidelines are followed. See Freeze Protecting Water Supply on page 13.



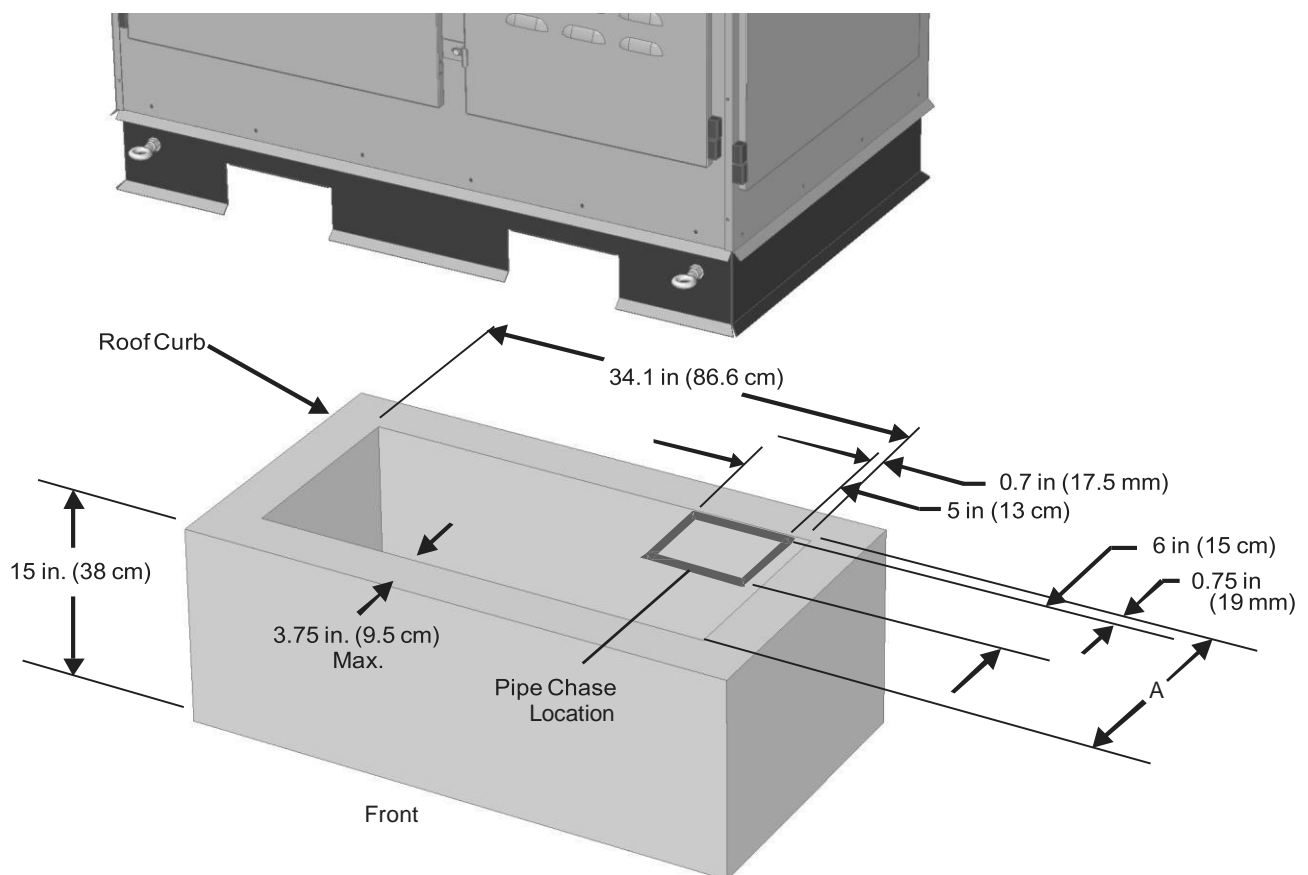
**Note:**

- Cut-outs in the base of the unit are designed to allow lifting with a forklift.
- Four removable lugs on the base are provided to allow the humidifier to be craned into position. Protect the cabinet from cable/strap/chain damage while lifting.



### SETC Outdoor Curb

The base of the Nortec SETC includes a drain pan with a pipe chase to route water, drain, boiler steam, boiler steam condensate, control wiring, and primary power wiring. The roof curb should be designed to support the base and allow services to be routed to the humidifier through the pipe chase.



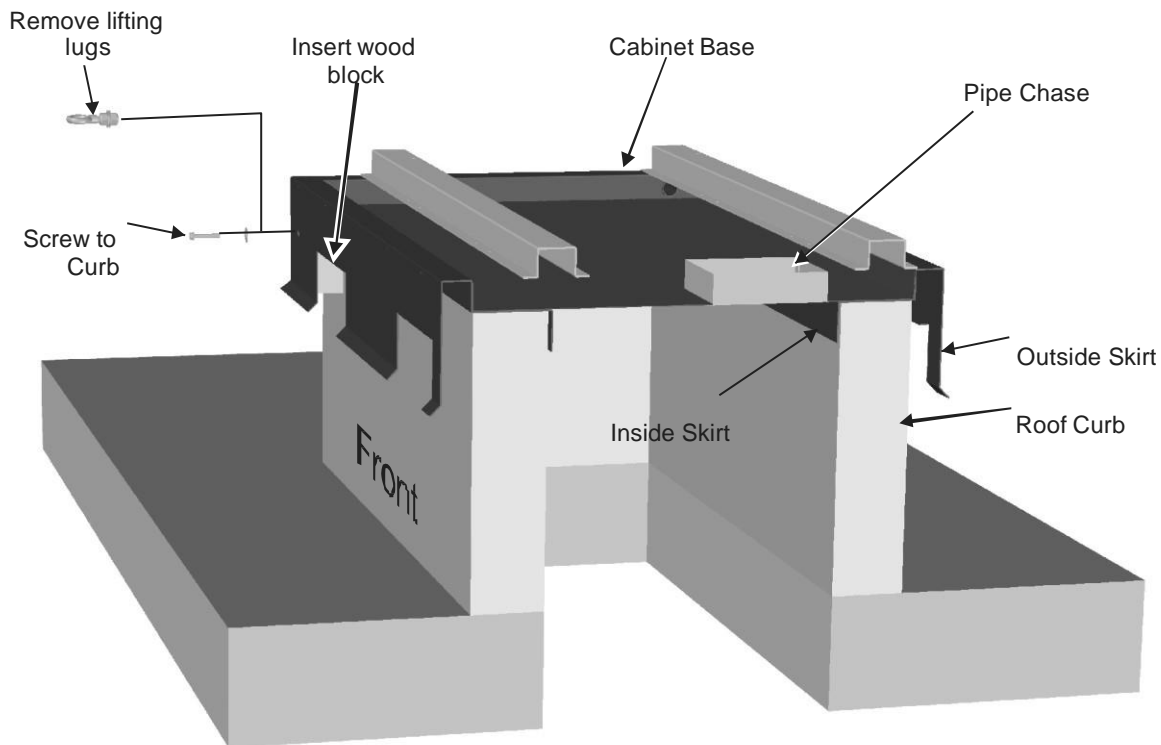
**Figure 6: Nortec SETC Outdoor Roof Curb**

**Table 4: Nortec SETC Roof Curb Depth (Dimension A)**

Model	A (Inside Curb Depth) In (cm)
100	8.6 (28 cm)
175	8.6 (28 cm)
250	15 (38 cm)
375	15 (38 cm)
525	30.6 (78 cm)
750	30.6 (78 cm)
1050	46.3 (118 cm)

## Installing on the Curb

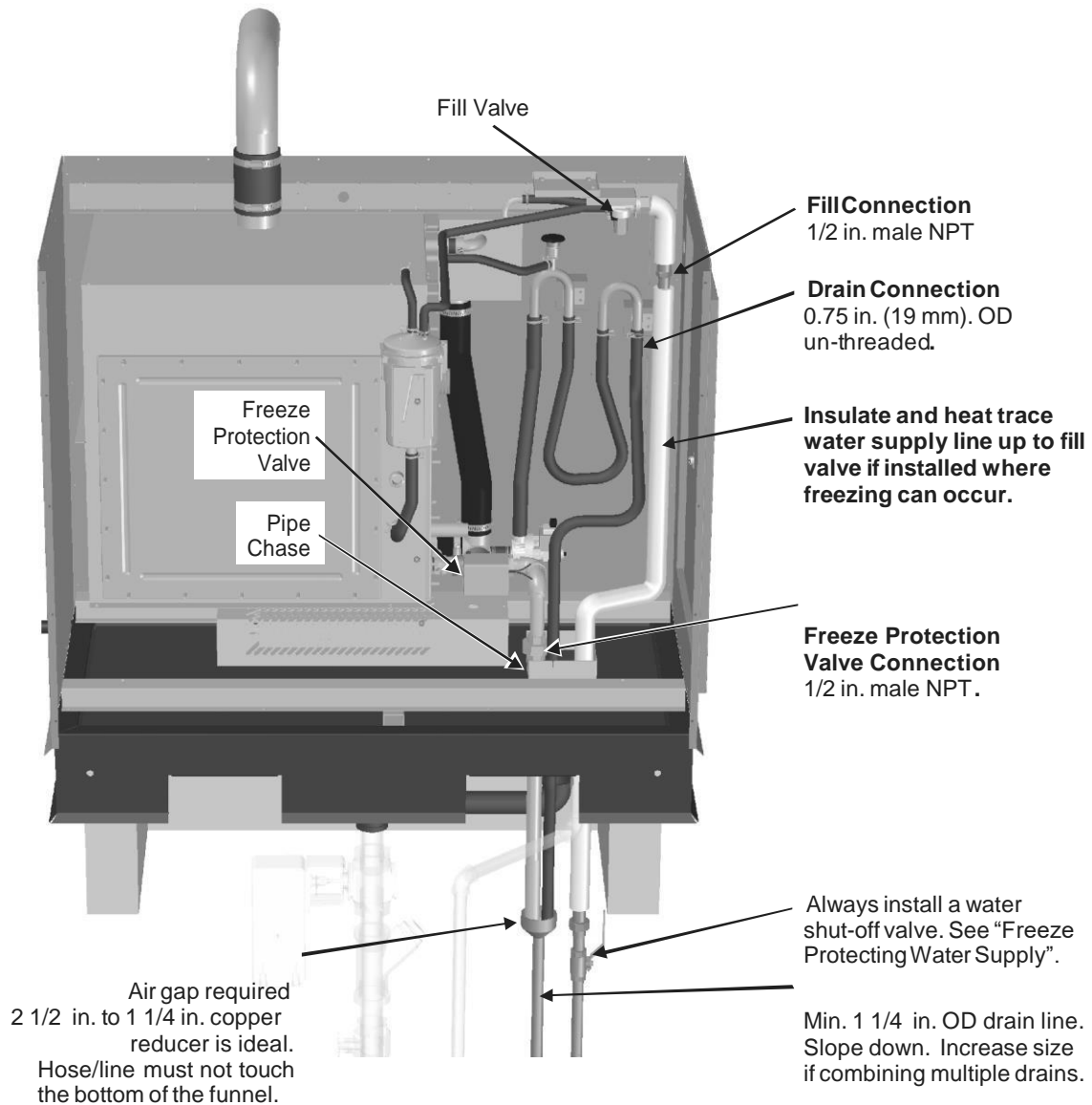
- If desired sealing material such as caulking or a gasket can be laid on the top of the curb prior to lifting the Nortec SETC into place.
- Use the removable lugs installed in the base of the humidifier to lift it into place. Ensure that the cable/chain/straps used for lifting do not come into contact with and damage the cabinet. The inside skirt of the base must fit inside the roof curb.
- To secure the Nortec SETC in place remove the four lifting lugs and insert shims or blocks to fill any gap between the outside skirt of the base and the curb. Drive screws through the four holes to secure the unit to the curb.
- If the building is positively or negatively pressured the pipe chase opening or the roof curb opening should be closed around the piping to prevent the building drawing cold air in or exhausting warm air out through the Nortec SETC cabinet.



Cross section of curb and cabinet base from right side

**Figure 7: Installing on the Curb**

# Plumbing



\*Pipe, unions, insulation, heat trace, and water shut-off valve not supplied by Condaair.

**Figure 8: Nortec SETC Outdoor Water Supply and Drain Connection**

## Caution:

- See Plumbing on page 14 of Nortec SE Series Installation Manual for additional plumbing requirements. This Information provided only to show routing and location of plumbing connections on Nortec SETC outdoor model.
- When installing the Nortec SETC Outdoor in conditions where freezing temperatures may occur follow instructions in Freeze Protecting Water Supply on page 13 to prevent damage in case of power failure or humidifier fault.
- **Internal heaters will not keep the Nortec SETC from freezing in cold climates. They are intended to maintain electronics at a minimum operating temperature for cold weather startup.**

**Note:** The freeze protection valve is normally open and will drain the tank whenever the humidifier is turned off or faults. Close manual shut off valve while troubleshooting.



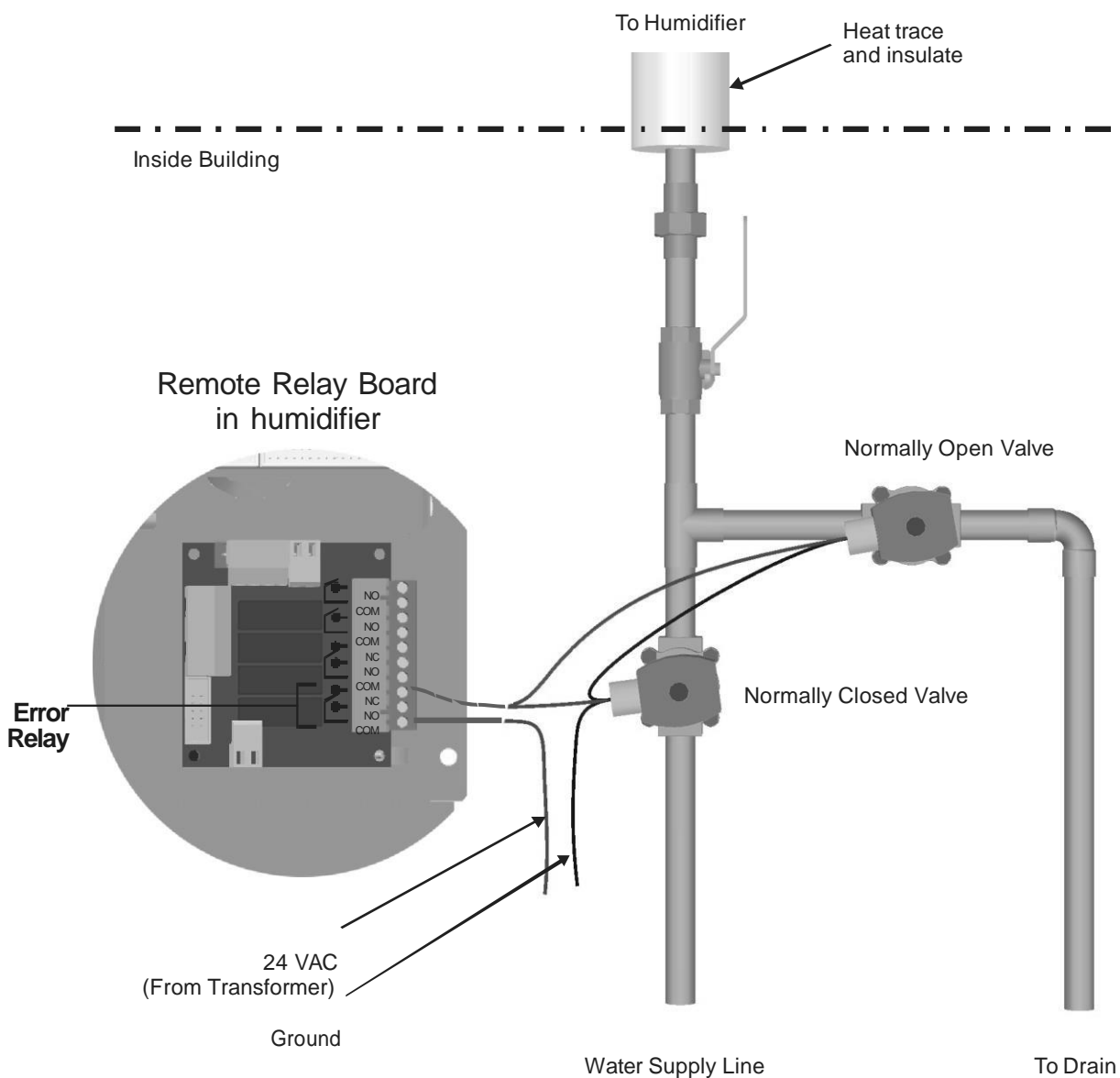
## Freeze Protecting Water Supply



### Caution:

When installing the Nortec SETC Outdoor in condition where the temperature may drop below 0°C (32 °F) always follow these guidelines to protect the water supply line from freezing. A frozen and burst water line can cause serious damage to property.

- Heat trace and insulate the water supply line all the way up to the fill valve.
- In case of power shut off or power failure the water supply line will not be protected from freezing by the heat trace. Water trapped in the supply line may freeze and cause damage. Install the valve system outlined below to shut off water inside the building and drain any water in the supply line. Valves, fittings, insulation and heat trace shown are not supplied by Condair.



**Figure 9: Freeze Protecting Water Supply**



# Boiler Steam and Boiler Condensate Return

## Caution:

See Boiler Steam and Boiler Condensate Return on page 15 of SE Series Installation Manual for additional steam line installation requirements. This information provided only to show routing and location of connections on Nortec SETC Outdoor model.



Note: Condair supplies CV valve, actuator, and wye strainer. All other components and fittings by others.

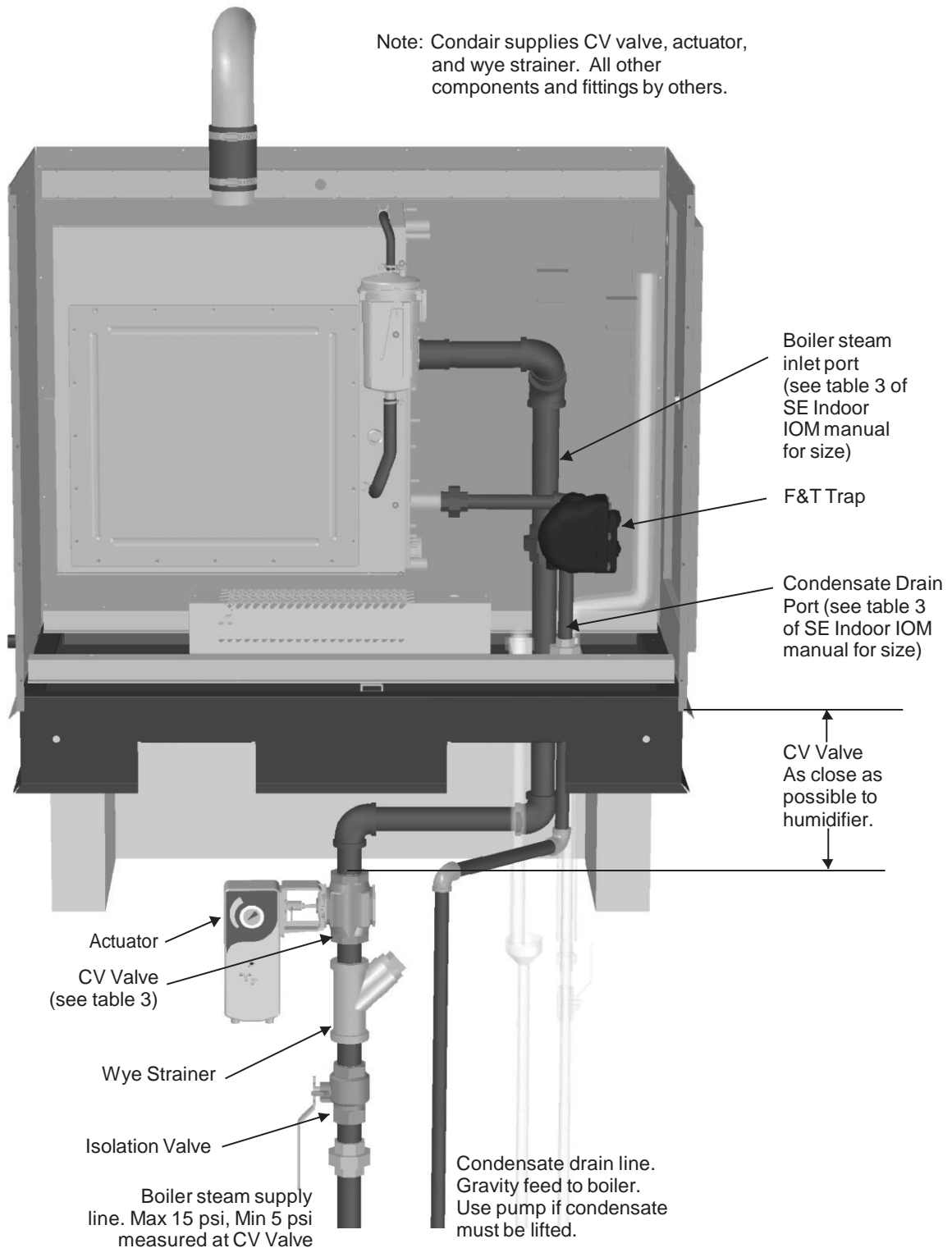
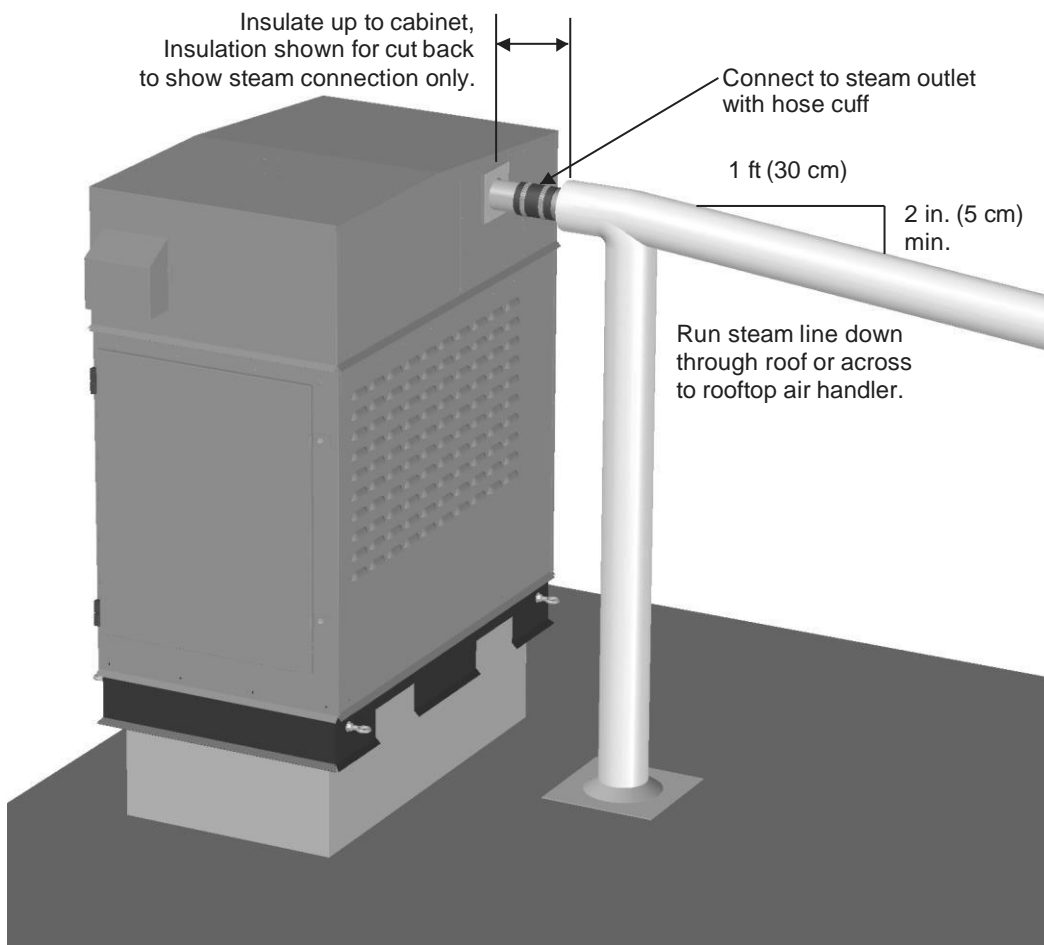


Figure 10: Nortec SETC Outdoor Boiler Steam and Condensate Connection

## Steam Lines and Condensate Returns

With the following exceptions the Nortec SETC Outdoor steam lines and condensate returns should be installed as shown in the Nortec SE Series Installation Manual. The size of the outlets and the number of outlets is given in Table 5: Recommended Steam Line Material on page 17 of the Nortec SE Series Installation Manual.

- The Steam outlet(s) of the Nortec SETC Outdoor is from the back of the humidifier and does not require 12 in. (30 cm) of vertical steam run immediately after the humidifier. The steam line may be routed directly down or horizontally from the outlet. See Figure 11: Nortec SETC Outdoor Steam Outlet.
- The Nortec SETC Outdoor steam line must be insulated in all cases even for very short runs.

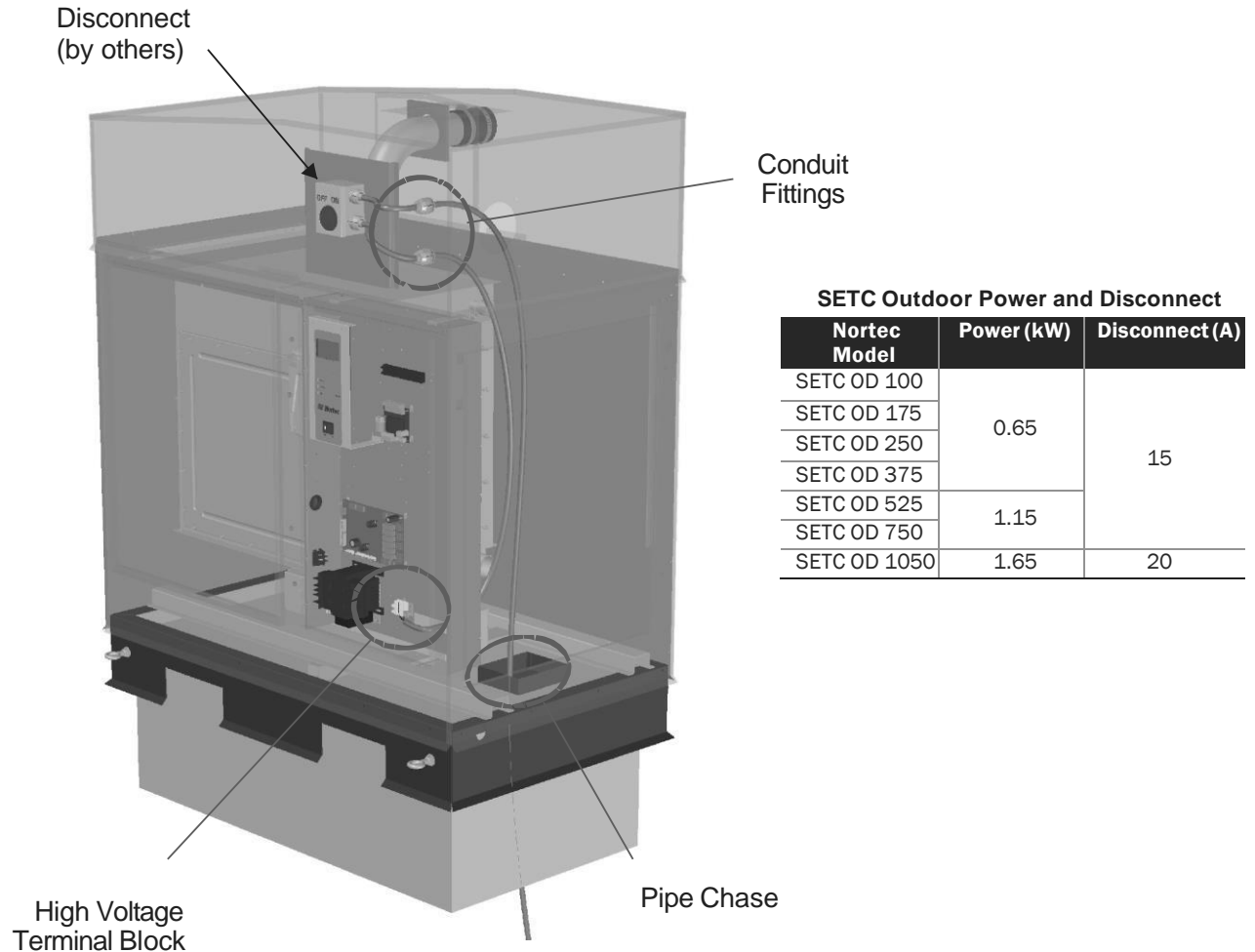


**Figure 11: Nortec SETC Outdoor Steam Outlet**

# Electrical

**Caution:**

- Wiring to be performed by a licensed Electrician.
- All SE humidifiers operate on 120 VAC, single phase, 60 HZ power. Refer to specification label for power requirements.



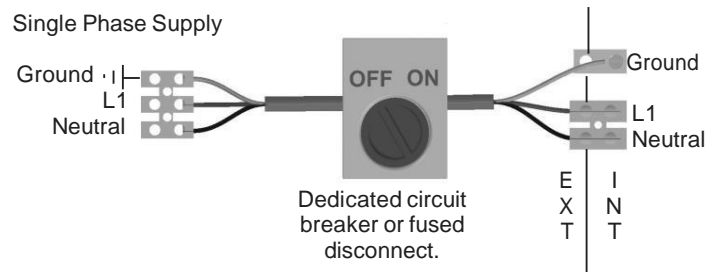
**SETC Outdoor Power and Disconnect**

Nortec Model	Power (kW)	Disconnect (A)
SETC OD 100	0.65	15
SETC OD 175		
SETC OD 250		
SETC OD 375		
SETC OD 525	1.15	20
SETC OD 750		
SETC OD 1050	1.65	20

**Note:**

- 1 Dedicated external fused disconnect must be installed. Fusing must not exceed max circuit protection as indicated on the specification label.
- 2 Ensure that adequate power is available to carry full humidifier amp draw as indicated on the specification label.
- 3 Primary power may be routed up through pipe chase and conduit fittings or from roof top source.
- 4 All wiring to be in accordance with national and local electrical codes.

**Nortec SETC Outdoor Primary Power Wiring**



**Figure 12: Primary Power Connection**

## External Controls

The control wiring of the Nortec SETC Outdoor is identical to the Nortec SE Indoor with the exception that the wiring from controls must be routed to the humidifier's control terminal strip through the pipe chase. See External Controls on page 23 of the Nortec SE Series Installation manual for full information on connecting external controls to the Nortec SETC Outdoor.

## Optional Outdoor Temperature Reset

The outdoor temperature reset should be used in cold climates where there is risk of condensation forming on external walls, windows, and trim. The Temperature reset function is part of all Condair Digital controls and should be installed as described in Optional Outdoor Temperature Reset on page 28 of the Nortec SE Series Installation Manual.

## CV Valve Actuator Wiring

Wire the CV valve actuator as described in CV Valve Actuator Wiring on page 29 of the Nortec SE Series Installation Manual.

## Remote Relay Board Wiring

Wire the remote relay board as described in Remote Relay Board Wiring on page 30 of the Nortec SE Series Installation Manual.

## Staged Modulation Wiring

Wire the humidifiers as described in Staged Modulation Wiring (Nortec SETC Only) on page 31 of the Nortec SE Series Installation Manual.

## Options and Accessories



### *Note:*

For installation of options and accessories follow the instructions that are provided with them.

## Remote Blower Pack

Remote blower packs can be installed with the Nortec SE Outdoor for applications where steam for humidification must be introduced directly into the space being humidified. For instructions on installing the remote blower pack refer to the installation instructions supplied with it. The steam line and condensate return instructions provided in this and the Nortec SE Series Installation Manual are also applicable to remote mounted blower packs.

The blower packs include a safety relay which should be used to prevent the humidifier from operating if the blower packs do not have power. Wire humidifier security loop in series through all blower packs and other On/Off controls.

## **Drain Water Cooling (External)**

Pneumatic and electric drain water coolers are available from Condair for installation outside the humidifier or on condensate drains from steam traps, distributors, and SAM-e headers. If condensate cannot be routed back to the humidifier tank via the humidifier's fill cup then an external drain water cooler may be required to meet regulations restricting the temperature of hot water that can be fed to drain. The external drain water cooler is only available for field installation.

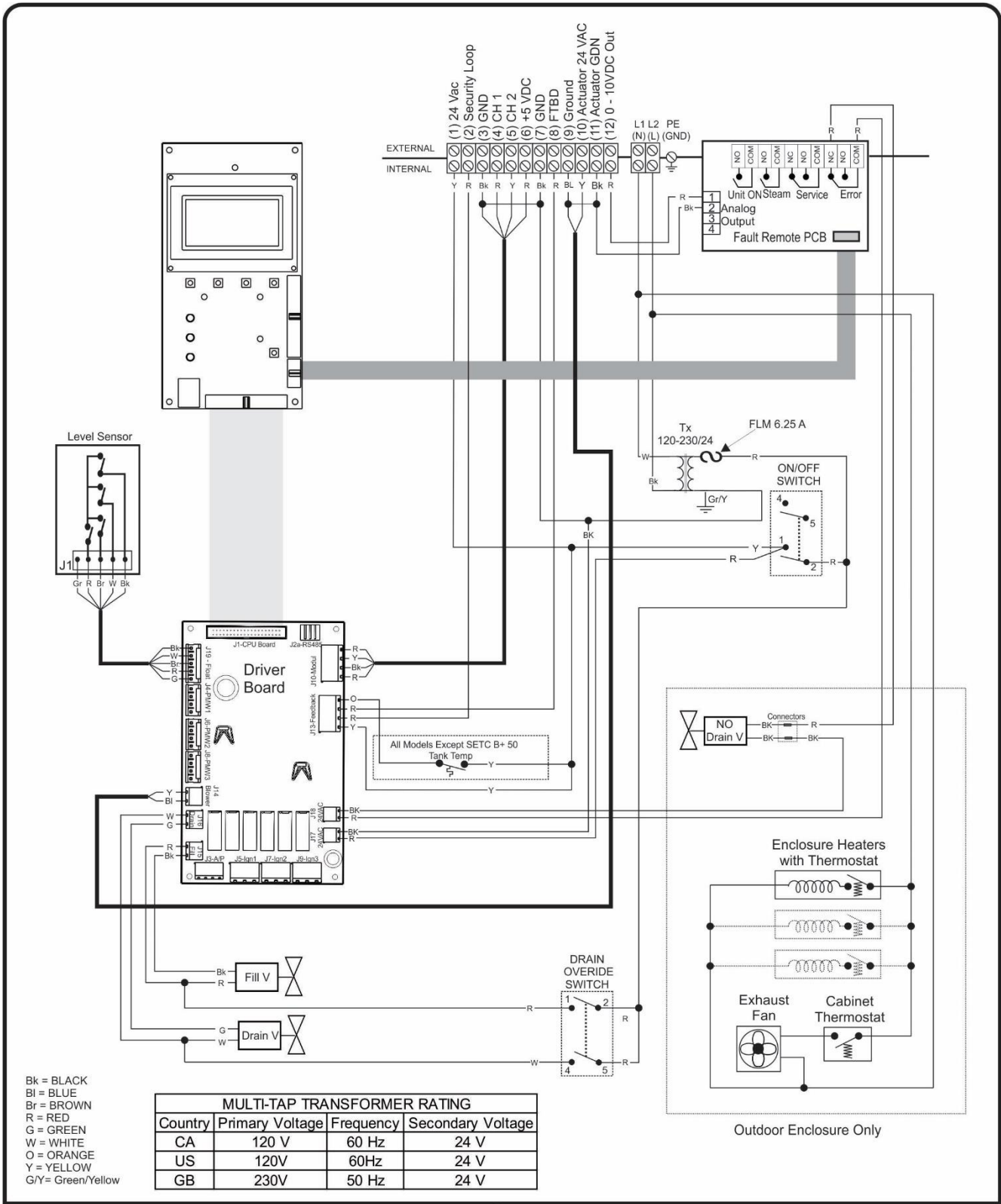
# Troubleshooting

---

## 20 Nortec SETC Outdoor Wiring Diagram

**For all other troubleshooting see chapter on troubleshooting in the Nortec SE Series Installation Manual.**

# SETC Outdoor Wiring Diagram



Nortec SETC B+ Series  
INTERNAL WIRING DIAGRAM  
DIAGRAM No. 2549738 REV. G 23/11/2018

Figure 13: SETC Outdoor Wiring Diagram

# Spare Parts

---

- 22 Distributor Spare Parts**
- 23 Nortec SETC Outdoor Plumbing Parts**
- 25 Nortec SETC Outdoor Cabinet and Electrical Parts**
- 28 Warranty**



# Distributor Spare Parts



**Figure 14: Distributor Exploded View and Spare Parts**

# Nortec SETC Outdoor Plumbing Parts

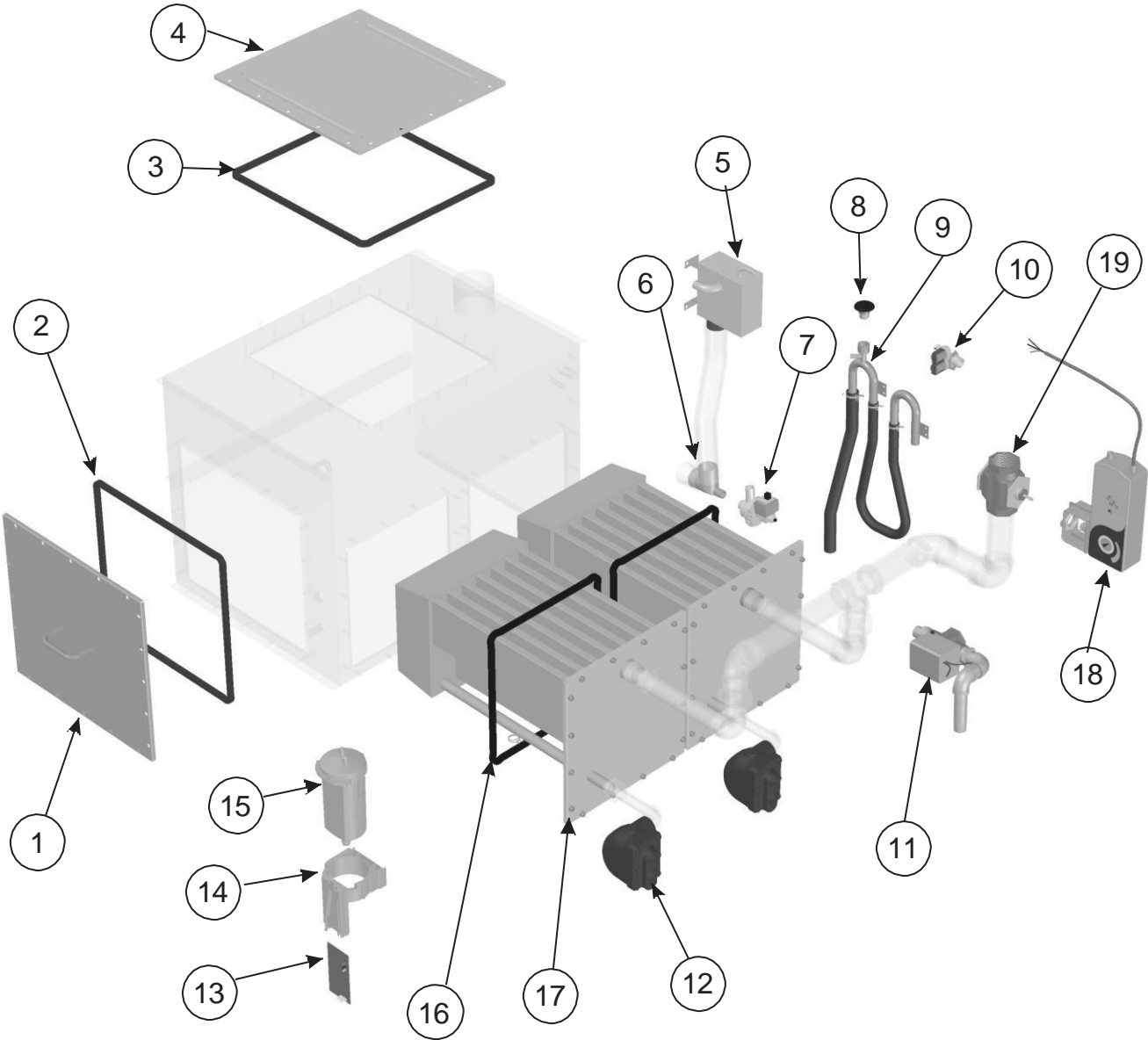


Figure 15: Nortec SETC 100-1050 Plumbing Parts

**Table 5: Nortec SETC B+ Outdoor Plumbing Parts List**

Item	Description	Part No.	100	175	250	375	525	750	1050
1	Cover Plate Assy.	2544439	1	1	1	1	1	1	1
2	O-ring, Clean Out Port	2524361	1	1	1	1	1	1	1
3	O-ring, Clean Out Port,	2524361					1	1	2
4	Cover Plate, Clean Out Port	2547539					1	1	2
5	Fill Box Assy.	2526152	1	1	1	1	1	1	1
6	Lower Mixing Box	1506749	1	1	1	1	1	1	1
7	Drain Pump 24v 60 Hz	1502644	1	1	1	1	1	1	1
8	Vacuum Break Valve 1/2" NPT	1505959	1	1	1	1	1	1	1
9	P-Trap, Outdoor	2547342	1	1	1	1	1	1	1
10	Dual Fill Valve 10.0 l/min & 0.35 l/min	1505759	1	1	1	1	1		
	Dual Fill Valve, 17.0L/Min & 0.35L/Min	1508581						1	1
11	Freeze Protect Valve Assembly Outdoor	1509014	1	1	1	1	1	1	1
12	Steam Trap, 15psi	1508849	1	1	1	1	2	2	3
13	Float Board	2511137	1	1	1	1	1	1	1
14	Float Chamber Mounting Bracket	1113777	1	1	1	1	1	1	1
15	Float Chamber	1115933	1	1	1	1	1	1	1
16	O-ring, Heat Exchanger, Large	2524403			1	1	2	2	3
	O-ring, Heat Exchanger, Mini	2524405	1	1					
17	Heat Exchanger Kit, Single	2581131			1	1	2	2	3
	Heat Exchanger Kit, Mini	2581132	1	1					
18	Modulating Actuator 0-10 VDC	1507549	1	1	1	1	1	1	
	Modulating Actuator 0-10 VDC, 2.5 Val	1508472							1
19	Valve 3/4 in. CV 5.5	1594322	1						
	Valve 1 in. CV 10.0	1594324		1					
	Valve 1 in. CV 12.0	1594332			1				
	Valve 1.25 in. CV 20.0	1594341				1			
	Valve 1.5 in. CV 28.0	1594350					1		
	Valve 2.0 in. CV 40.0	1594360						1	
	Valve 2.5 in. CV 65.0	1508473							1

# Nortec SETC Outdoor Cabinet and Electrical Parts

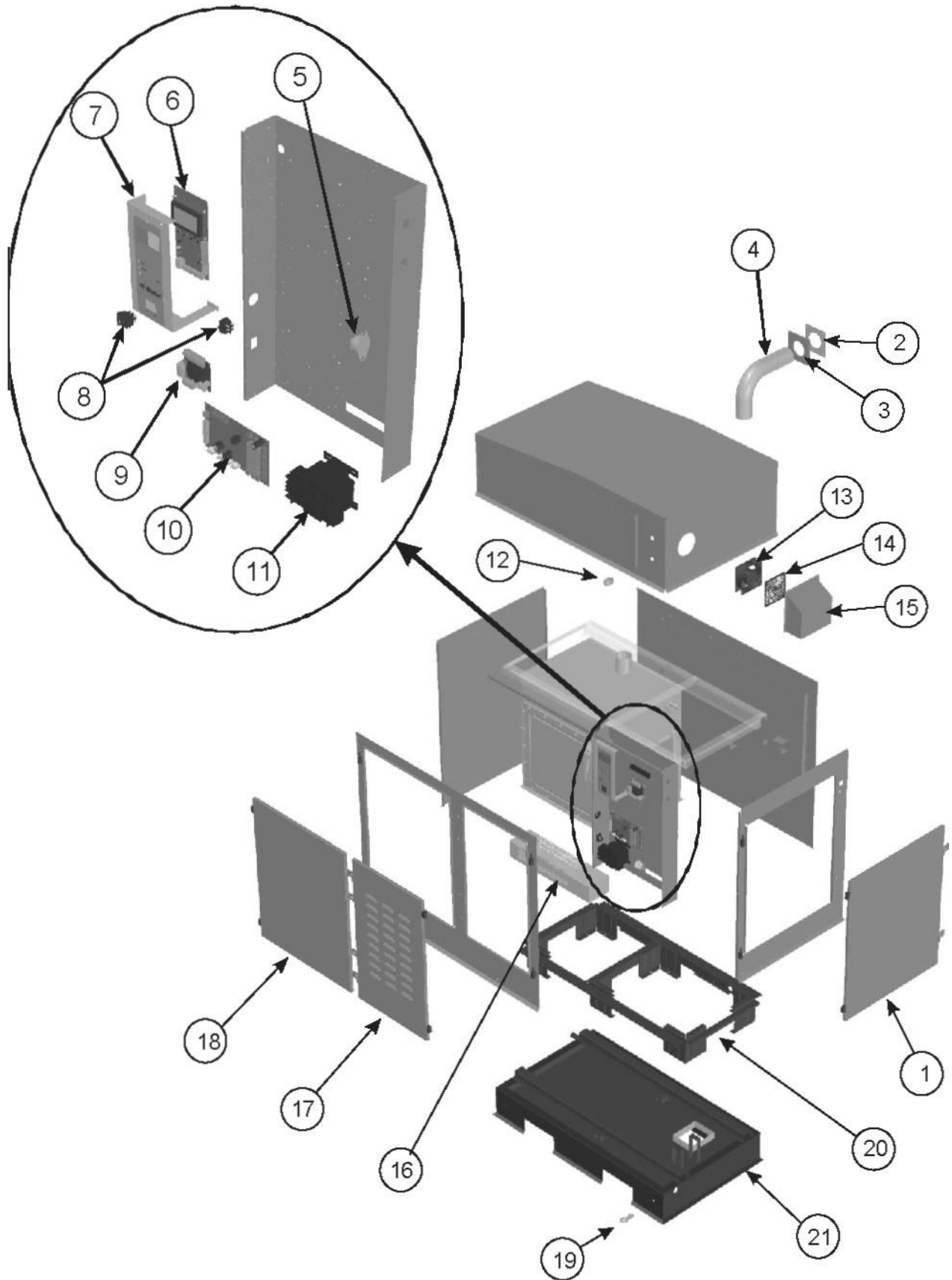


Figure 6: Nortec SETC/P00- 050 Cabinet and Electrical Parts

**Table 6: Nortec SETC B+ Outdoor Cabinet and Electrical Parts List**

Item	Description	Part No.	100	175	250	375	525	750	1050
1	Service Door, Mini	1507801	1	1					
	Service Door, Double	1507860					1	1	
	Service Door	1507800			1	1			2
2	Gasket Steam Line 1.5 in.	1508105	1						
	Gasket Steam Line 3 in.	1507872		1	1				
	Gasket Steam Line 4 in.	1507871				1	1	1	2
3	Plate Cover 1.5 in.	1508106	1						
	Plate Cover 3 in.	1507870		1	1				
	Plate Cover 4 in.	1507810				1	1	1	2
4	Steam Line 1.5 Outdoor	1508015	1						
	Steam Line 3 Outdoor	1508049		1	1				
	Steam Line 4 Outdoor	1508048				1	1	2	2
5	Thermostat On/Off	1508042				1			
6	Kit Processor Board SE	2553861				1			
Not Shown	Cable , 40 Pin Ribbon	2537230				1			
7	Panel Processor Display Outdoor	2544255				1			
Not Shown	Membrane, Nortec	1509735				1			
8	Switch Rocker DPST	2522489				2			
9	Remote Fault Indication Board SETC	2550184				1			
Not Shown	Cable, 10pin Ribbon	2522062				1			
10	PCB Driver Board	2535504				1			
11	Transformer,120/240V,24V ,150VA	2532672				1			
12	Conduit Fitting,1/2	1506259				2			
13	Fan Axial 108 cfm	1506904				1			
14	Fan Cover	1504281				1			
15	Hood Fan Outdoor	1507811				1			
16	Pump house heater	1508039				1			
17	Access Door, Electronics, Outdoor	1507801				1			
18	Access Door, Tank, Outdoor	1507800				1			
19	Base Assembly	Reference - Contact Factory							
20	Base Assembly Outdoor	Reference - Contact Factory							



# Warranty

---

Condair Inc. and/or Condair Ltd. (hereinafter collectively referred to as THE COMPANY), warrant for a period of two years after installation or 30 months from manufacturer's ship date, whichever date is earlier, that THE COMPANY's manufactured and assembled products, not otherwise expressly warranted are free from defects in material and workmanship. No warranty is made against corrosion, deterioration, or suitability of substituted materials used as a result of compliance with government regulations.

THE COMPANY's obligations and liabilities under this warranty are limited to furnishing replacement parts to the customer, F.O.B. THE COMPANY's factory, providing the defective part(s) is returned freight prepaid by the customer. Parts used for repairs are warranted for the balance of the term of the warranty on the original humidifier or 90 days, whichever is longer.

The warranties set forth herein are in lieu of all other warranties expressed or implied by law. No liability whatsoever shall be attached to THE COMPANY until said products have been paid for in full and then said liability shall be limited to the original purchase price for the product. Any further warranty must be in writing, signed by an officer of THE COMPANY.

THE COMPANY's limited warranty on accessories, not of the companies manufacture, such as controls, humidistats, pumps, etc. is limited to the warranty of the original equipment manufacturer from date of original shipment of humidifier.

THE COMPANY makes no warranty and assumes no liability unless the equipment is installed in strict accordance with a copy of the catalog and installation manual in effect at the date of purchase and by a contractor approved by THE COMPANY to install such equipment.

THE COMPANY makes no warranty and assumes no liability whatsoever for consequential damage or damage resulting directly from misapplication, incorrect sizing or lack of proper maintenance of the equipment.

THE COMPANY makes no warranty and assumes no liability whatsoever for damage resulting from freezing of the humidifier, supply lines, drain lines, or steam distribution systems.

THE COMPANY makes no warranty and assumes no liability whatsoever for equipment that has failed due to ambient conditions when installed in locations having climates below 14° F (-10° C) during January or above 104° F (40° C) during July.

THE COMPANY retains the right to change the design, specification and performance criteria of its products without notice or obligation.

**U.S.A.**  
2700 90<sup>th</sup> St.  
Sturtevant, WI 53177

835 Commerce Park Dr.  
Ogdensburg, NY 13669-2209

**CANADA**  
2740 Fenton Road  
Ottawa, Ontario K1T 3T7

TEL: 1.866.667.8321

EMAIL: [na.info@condair.com](mailto:na.info@condair.com)

WEBSITE: [www.condair.com](http://www.condair.com)



 **condair**